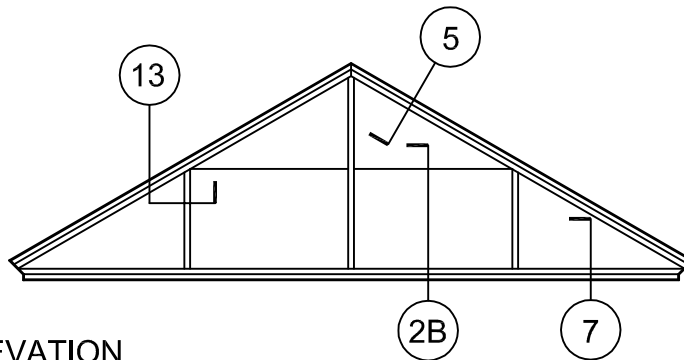
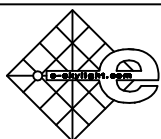


PLAN  
N.T.S.



END ELEVATION  
N.T.S.

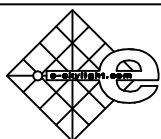
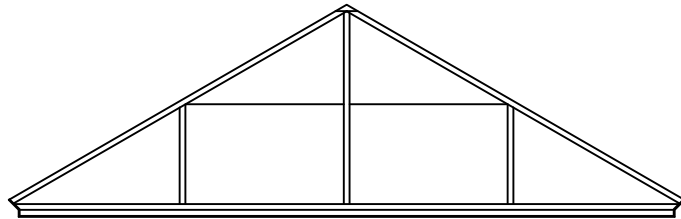
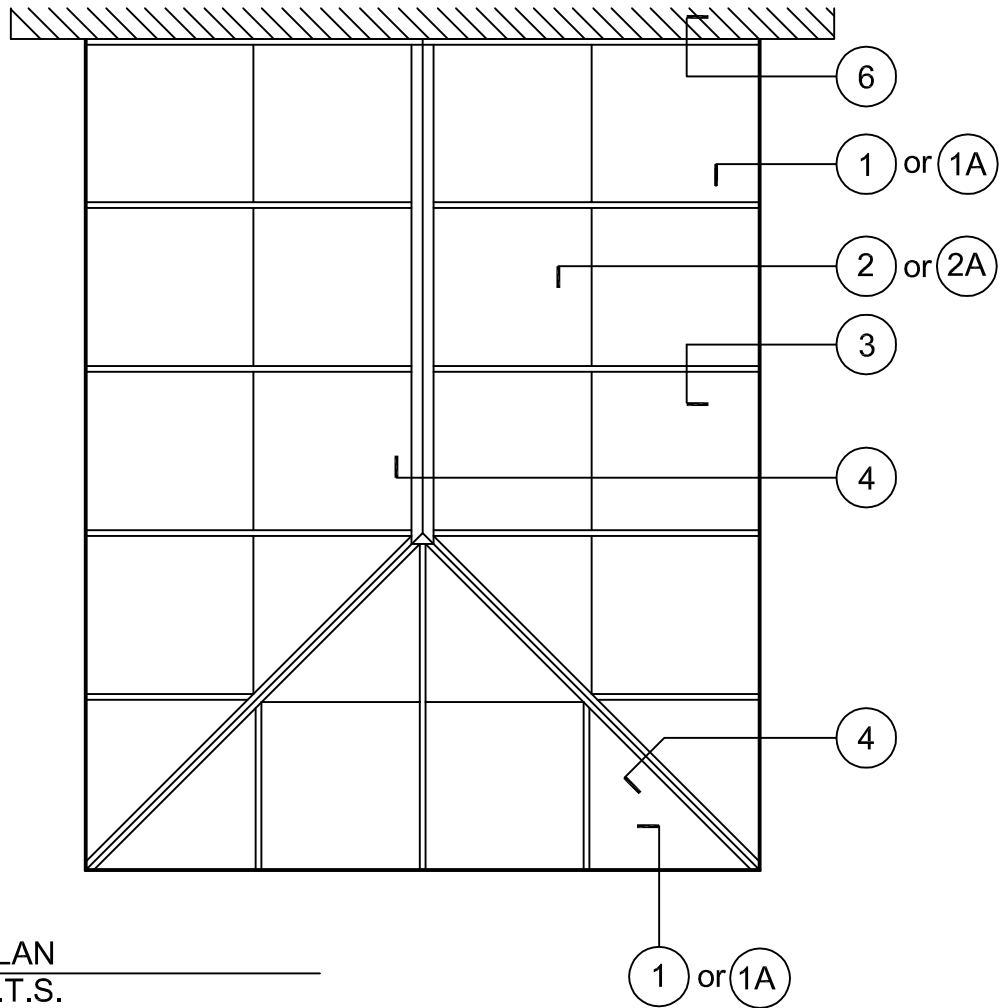


**E-Skylight, Inc.**  
P.O. Box 830, Branford, CT 06405  
866-624-3759 / (fax) 207-636-8004  
www.e-skylight.com

RIDGE W/ VERTICAL END

SYSTEM 2000™

C1

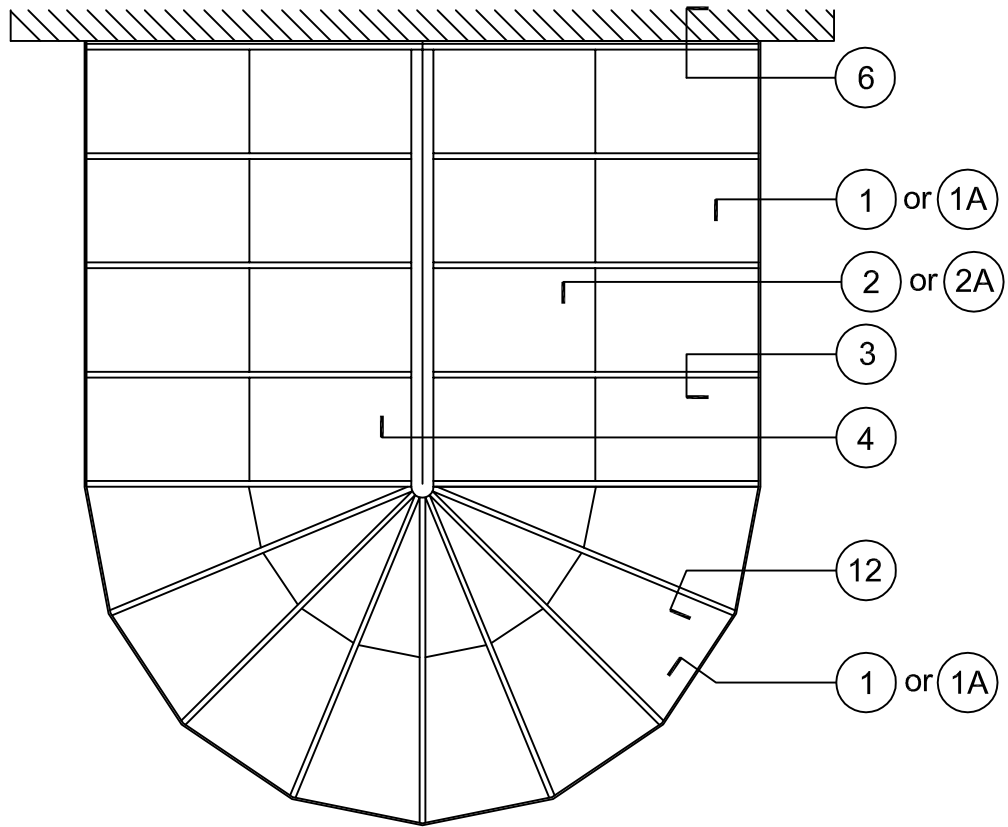


**E-Skylight, Inc.**  
P.O. BOX 830, Branford, CT 06405  
866-624-3759 / (fax) 207-636-8004  
www.e-skylight.com

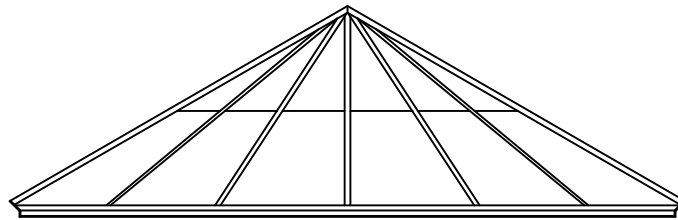
RIDGE W/ SLOPED END

SYSTEM 2000™

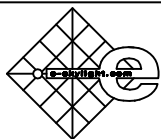
C2



PLAN  
N.T.S.



END ELEVATION  
N.T.S.

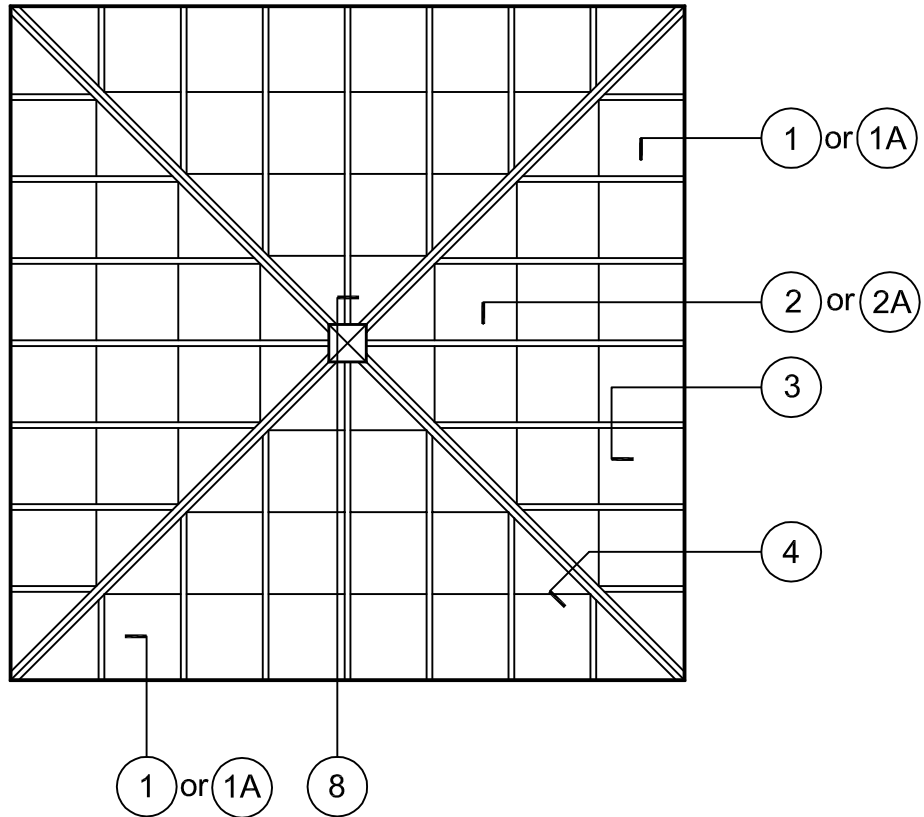


**E-Skylight, Inc.**  
P.O. Box 830, Branford, CT 06405  
866-624-3759 / (fax) 207-636-8004  
www.e-skylight.com

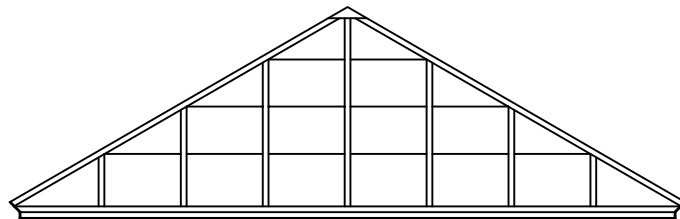
RIDGE W/ POLYGON END

SYSTEM 2000™

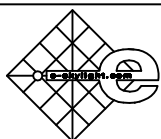
C3



PLAN  
N.T.S.



END ELEVATION  
N.T.S.

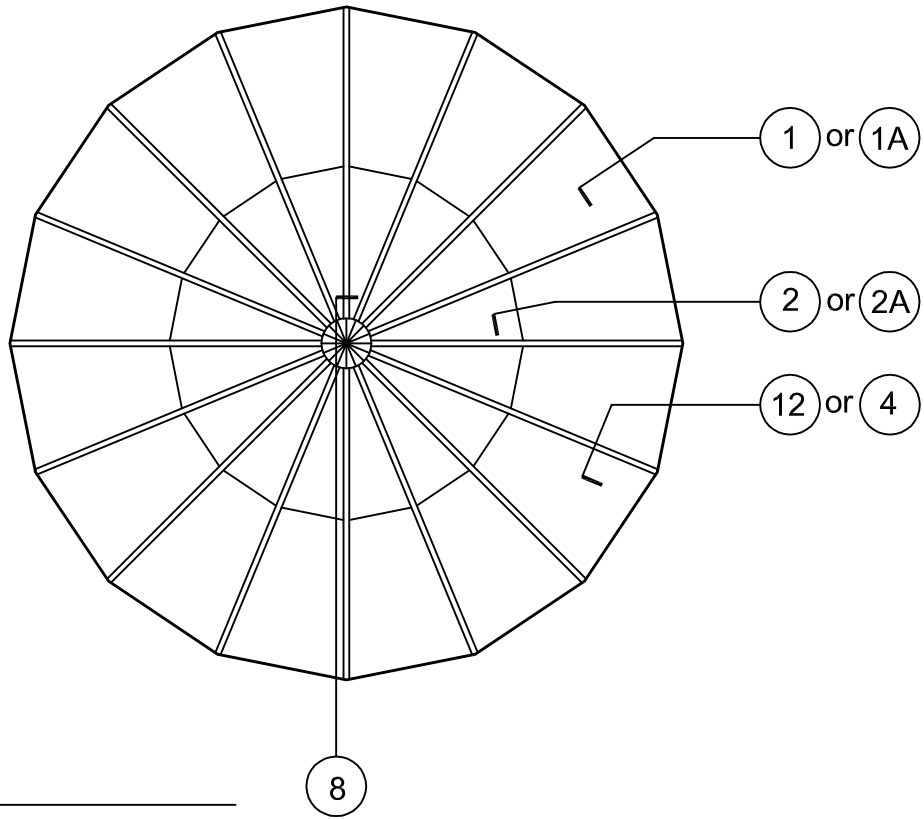


**E-Skylight, Inc.**  
P.O. Box 830, Branford, CT 06405  
866-624-3759 / (fax) 207-636-8004  
www.e-skylight.com

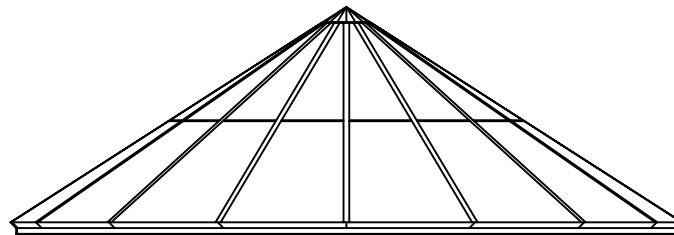
**PYRAMID**

SYSTEM 2000™

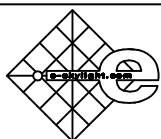
**C4**



PLAN  
N.T.S.



END ELEVATION  
N.T.S.

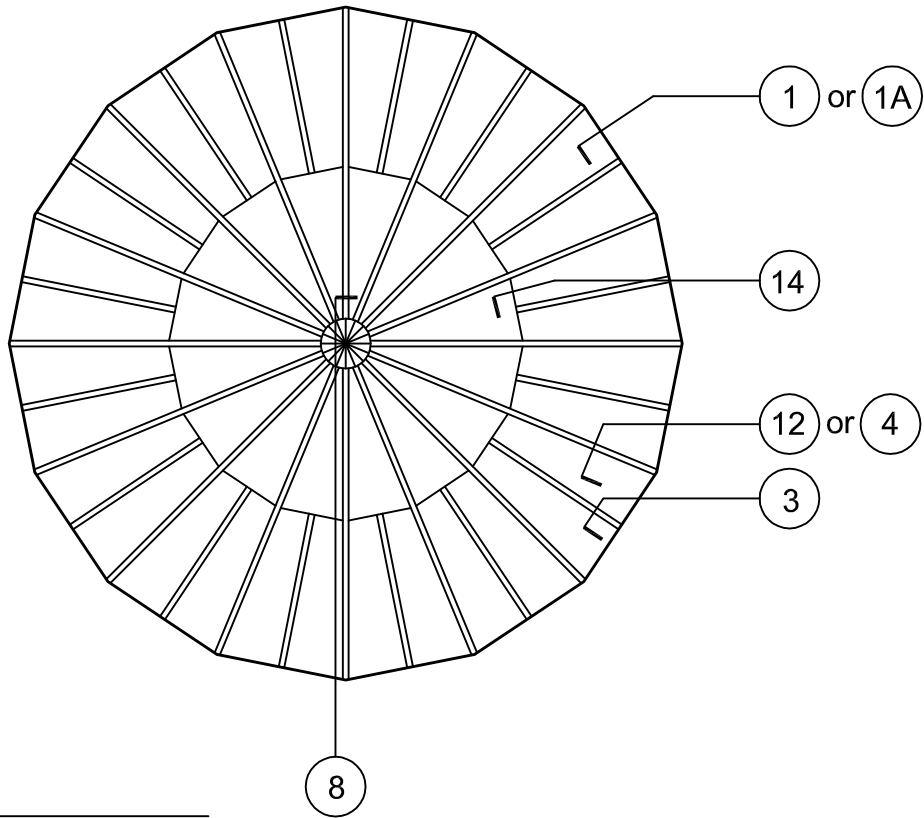


**E-Skylight, Inc.**  
P.O. Box 830, Branford, CT 06405  
866-624-3759 / (fax) 207-636-8004  
www.e-skylight.com

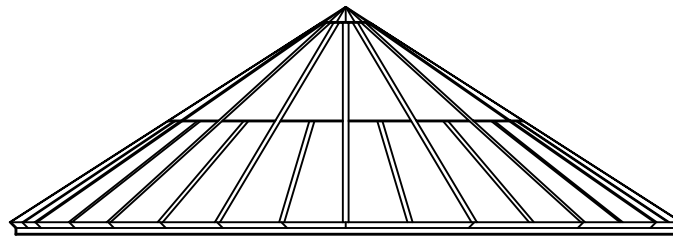
POLYGON (OPTION A)

SYSTEM 2000™

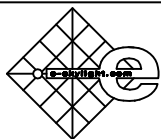
C5



PLAN  
N.T.S.



END ELEVATION  
N.T.S.

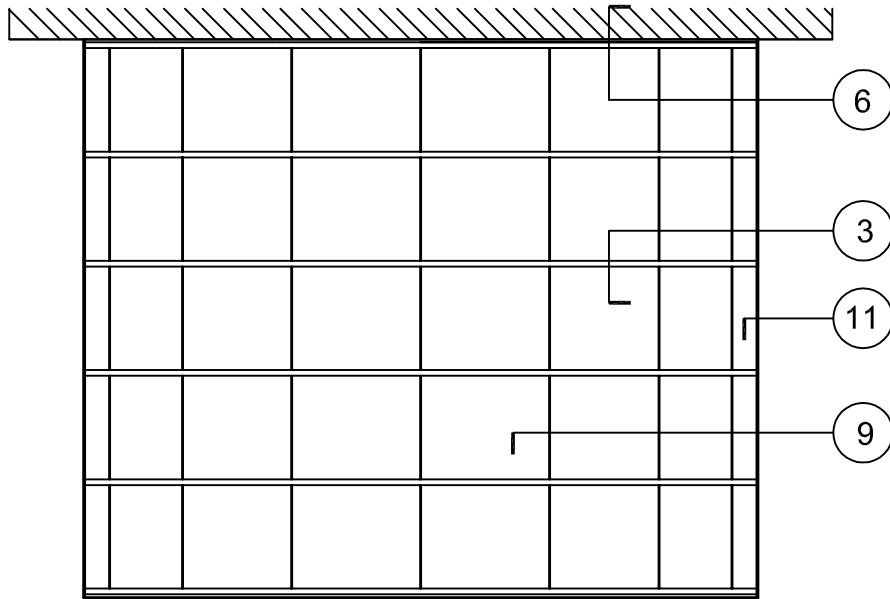


**E-Skylight, Inc.**  
P.O. Box 830, Branford, CT 06405  
866-624-3759 / (fax) 207-636-8004  
www.e-skylight.com

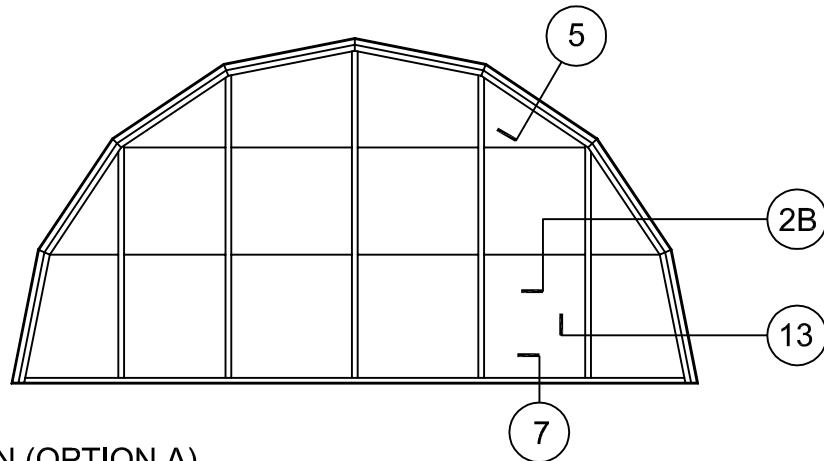
**POLYGON (OPTION B)**

SYSTEM 2000™

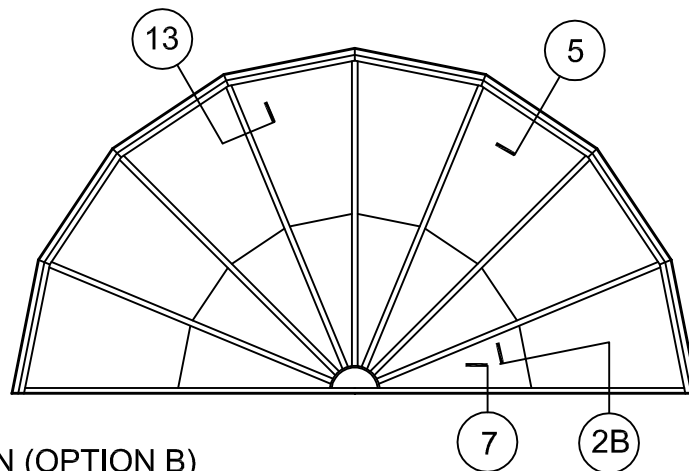
C6



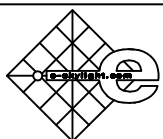
PLAN  
N.T.S.



END ELEVATION (OPTION A)  
N.T.S.



END ELEVATION (OPTION B)  
N.T.S.

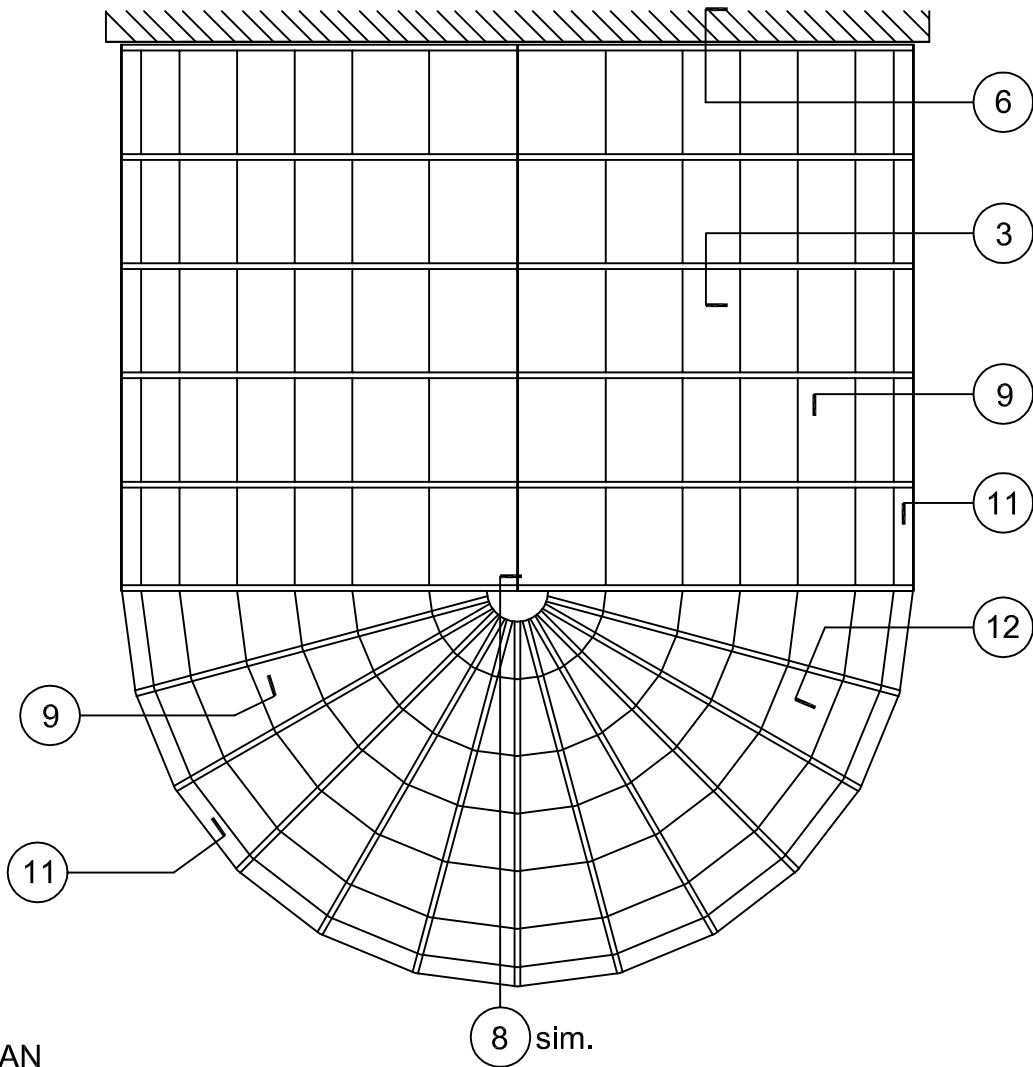


**E-Skylight, Inc.**  
P.O. Box 830, Branford, CT 06405  
866-624-3759 / (fax) 207-636-8004  
www.e-skylight.com

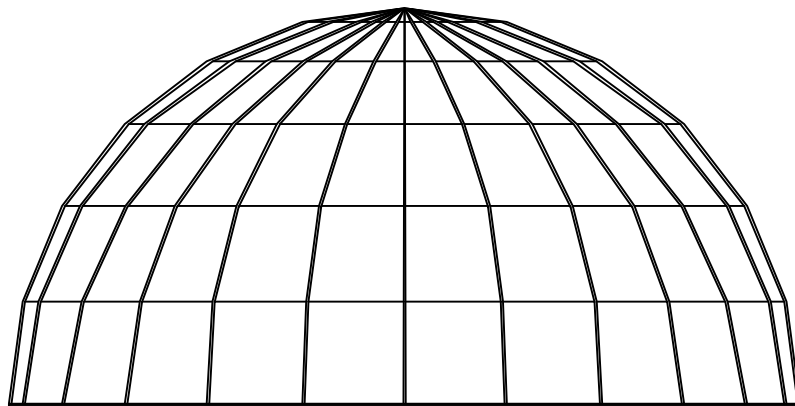
SEGMENTED VAULT

SYSTEM 2000™

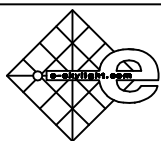
C7



PLAN  
N.T.S.



END ELEVATION  
N.T.S.



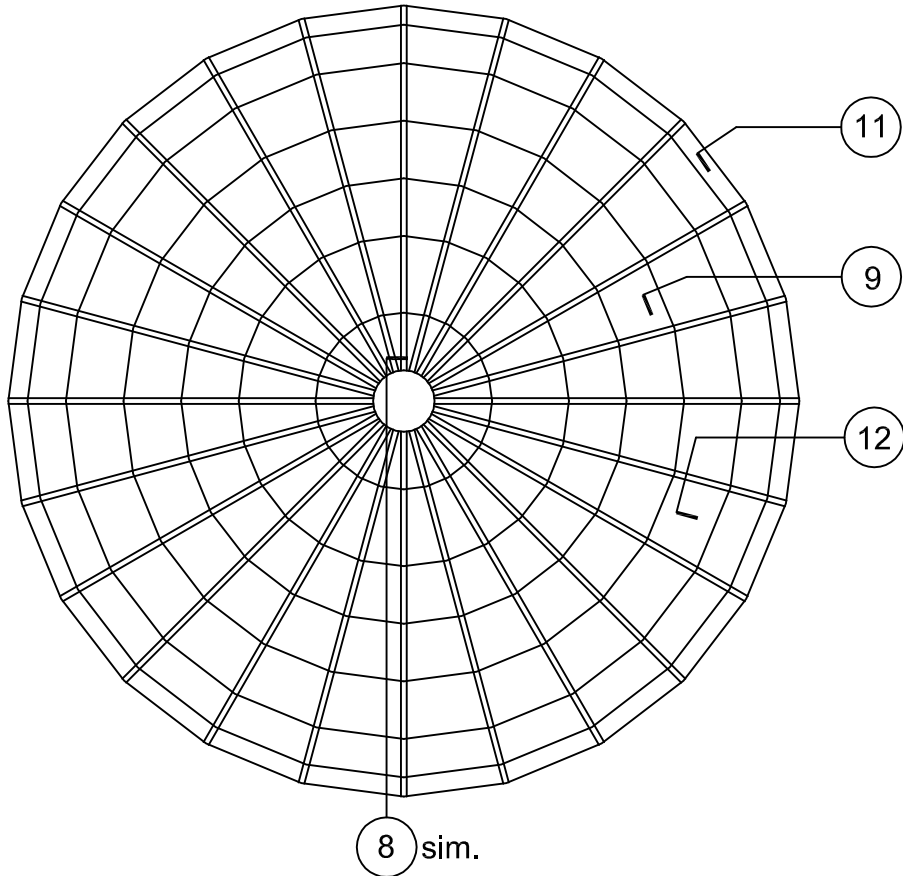
**E-Skylight, Inc.**  
P.O. Box 830, Branford, CT 06405  
866-624-3759 / (fax) 207-636-8004  
www.e-skylight.com

SEGMENTED DOME W/ DOME END

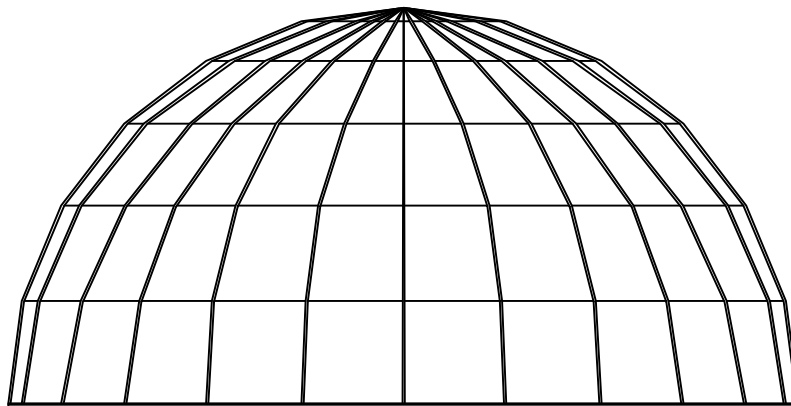
SYSTEM 2000™

C8

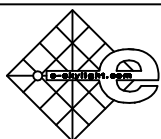




PLAN  
N.T.S.



END ELEVATION  
N.T.S.

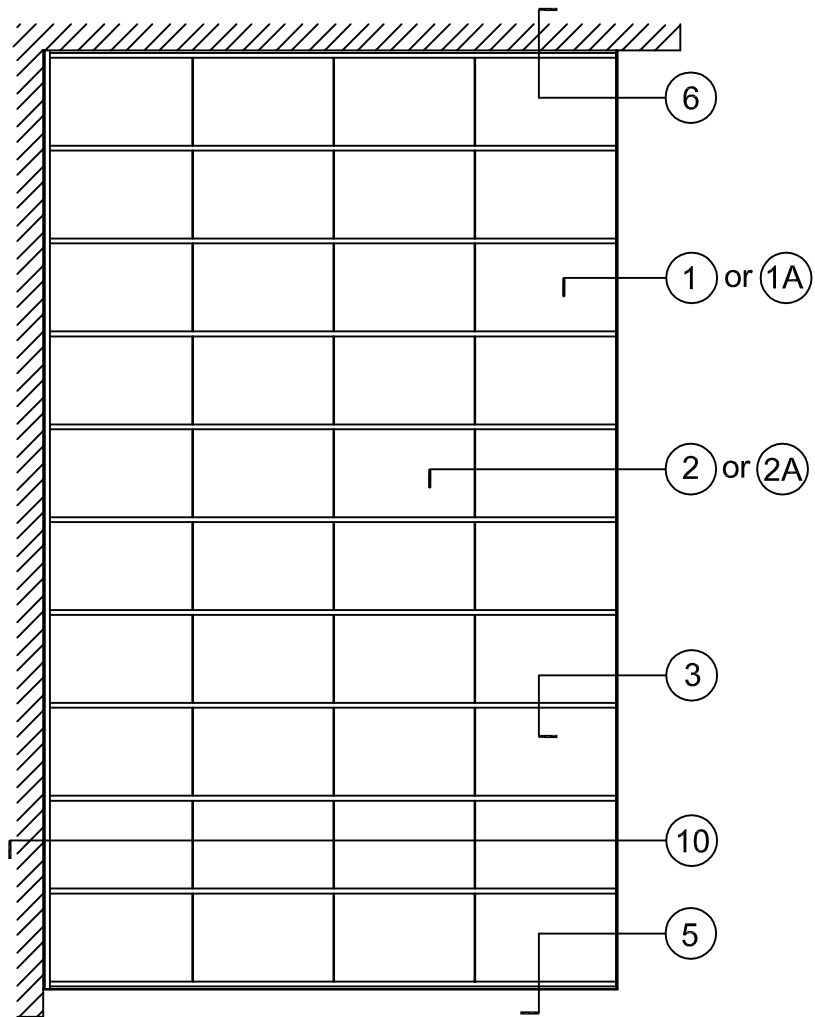


**E-Skylight, Inc.**  
P.O. Box 830, Branford, CT 06405  
866-624-3759 / (fax) 207-636-8004  
www.e-skylight.com

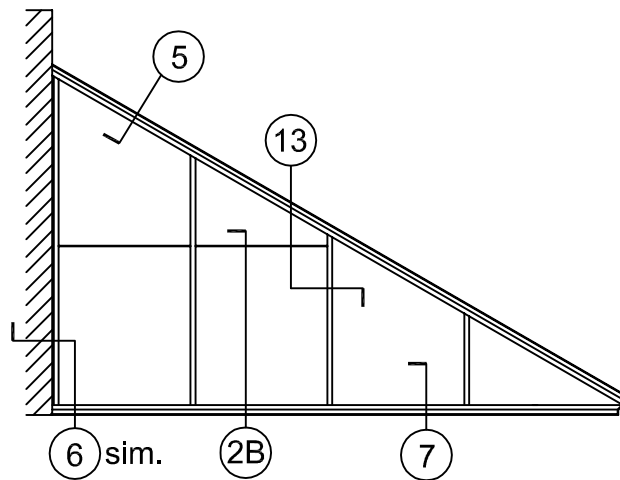
SEGMENTED DOME

SYSTEM 2000™

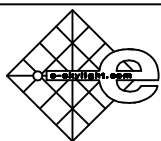
C9



PLAN  
N.T.S.



END ELEVATION  
N.T.S.

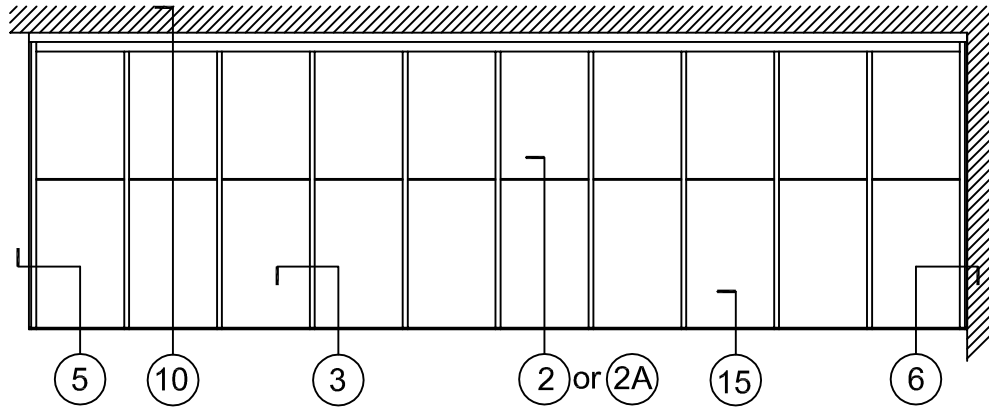


**E-Skylight, Inc.**  
P.O. Box 830, Branford, CT 06405  
866-624-3759 / (fax) 207-636-8004  
www.e-skylight.com

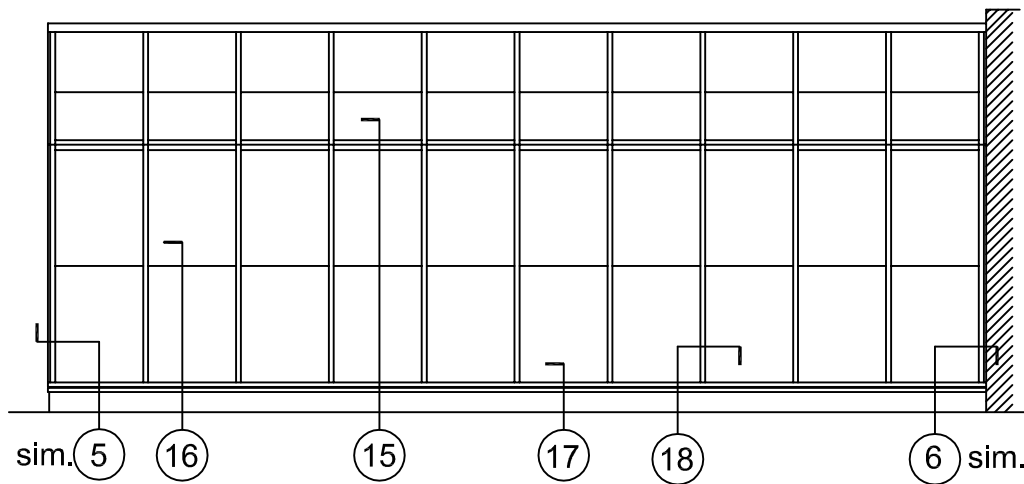
LEAN-TO

SYSTEM 2000™

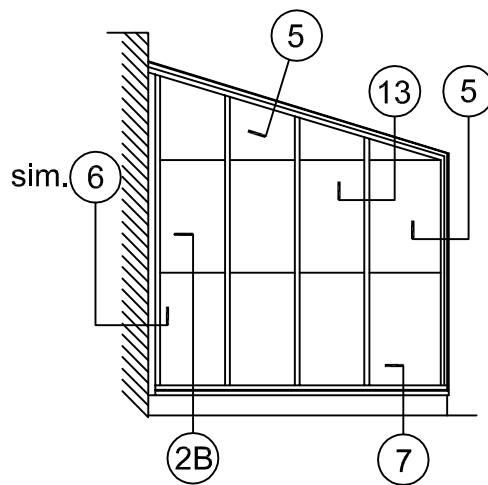
C10



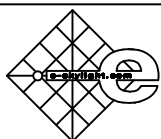
PLAN  
N.T.S.



FRONT ELEVATION  
N.T.S.



END ELEVATION  
N.T.S.

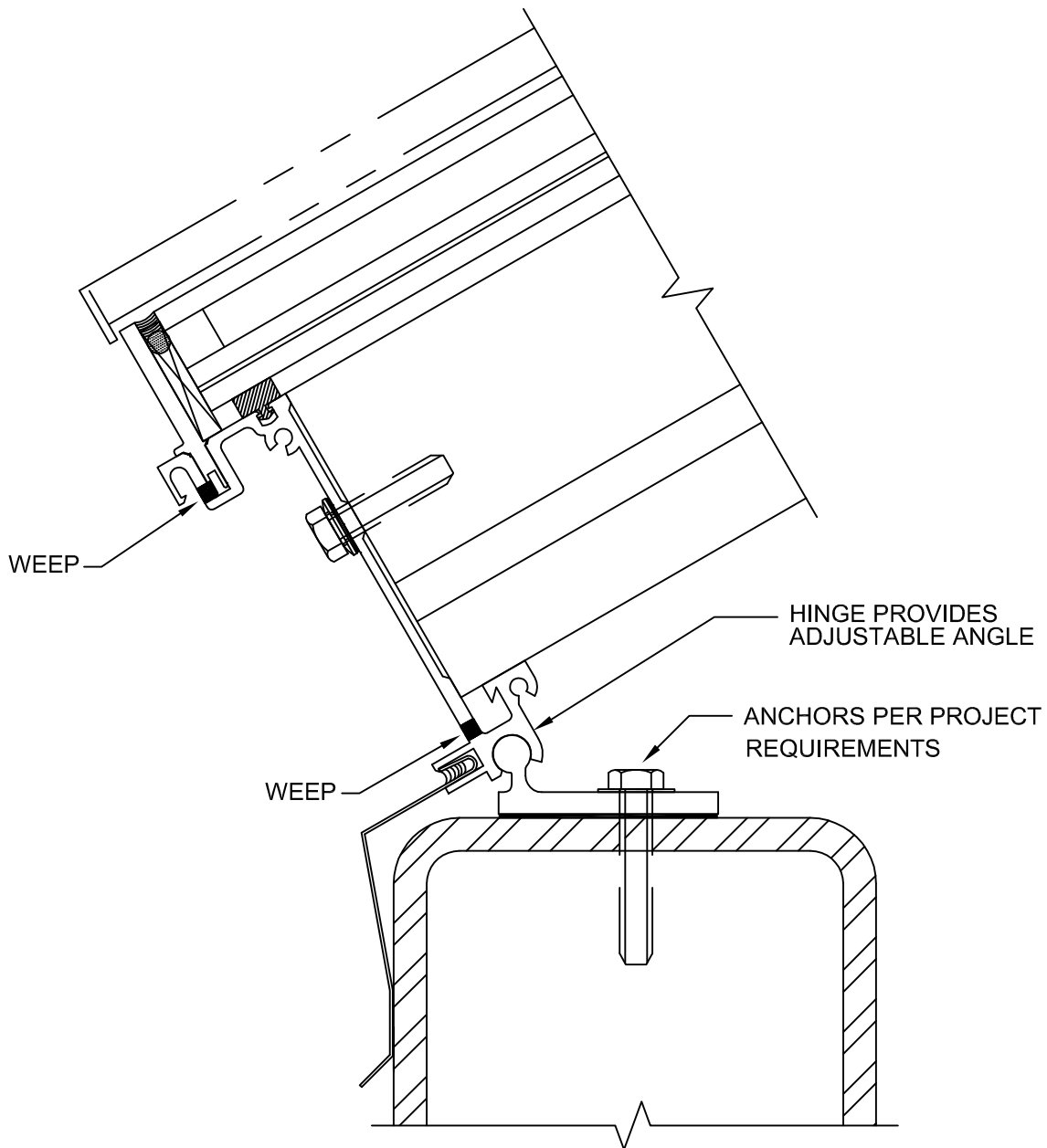


**E-Skylight, Inc.**  
 P.O. Box 830, Branford, CT 06405  
 866-624-3759 / (fax) 207-636-8004  
 www.e-skylight.com

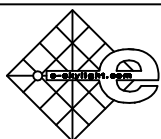
GREENHOUSE

SYSTEM 2000™

C11



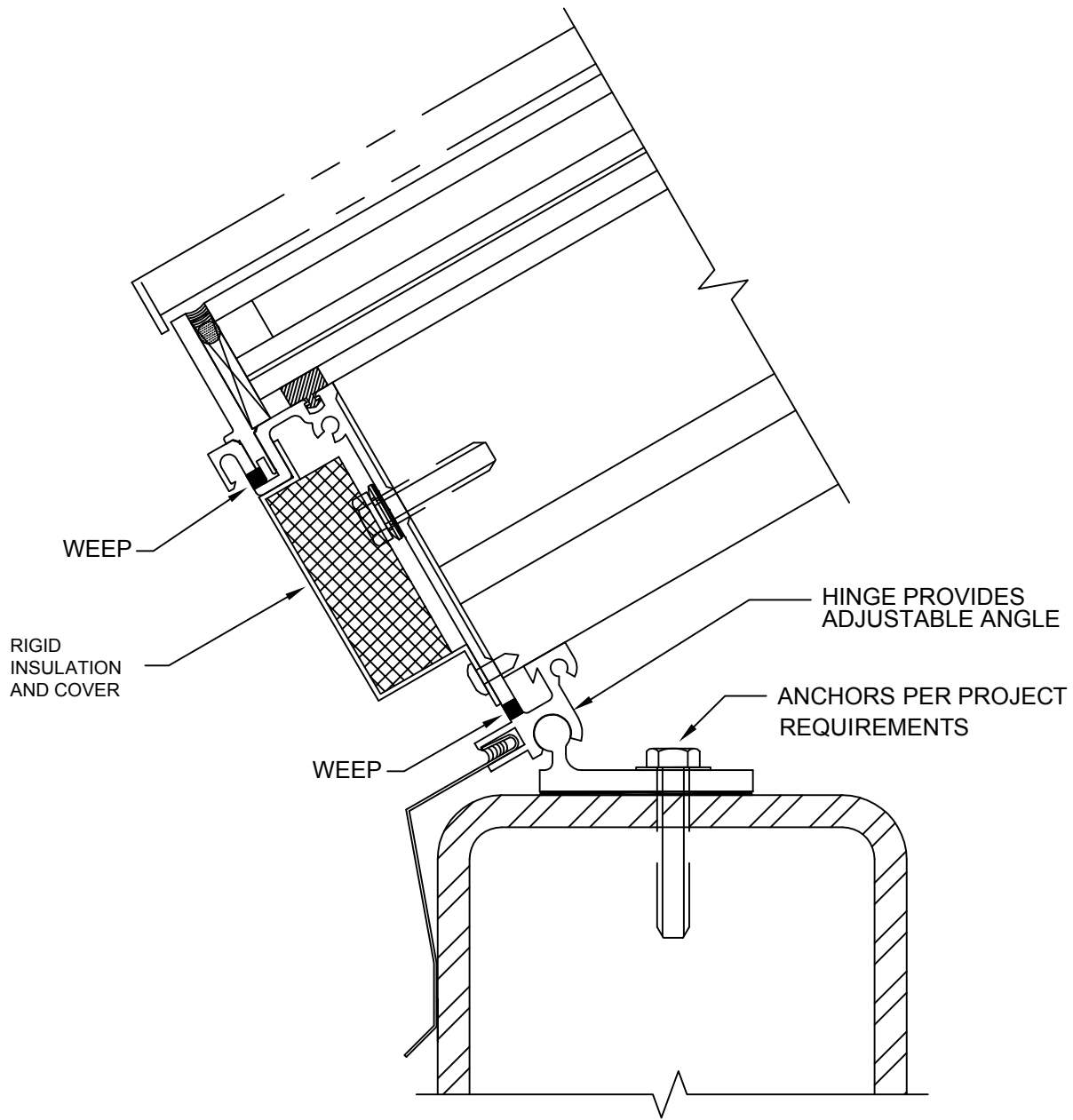
SCALE = 1/2"



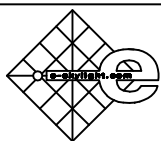
**E-Skylight, Inc.**  
 P.O. Box 830, Branford, CT 06405  
 866-624-3759 / (fax) 207-636-8004  
 www.e-skylight.com

TYPICAL SILL  
 CAPTURED  
 SYSTEM 2000™

D1



SCALE = 1/2



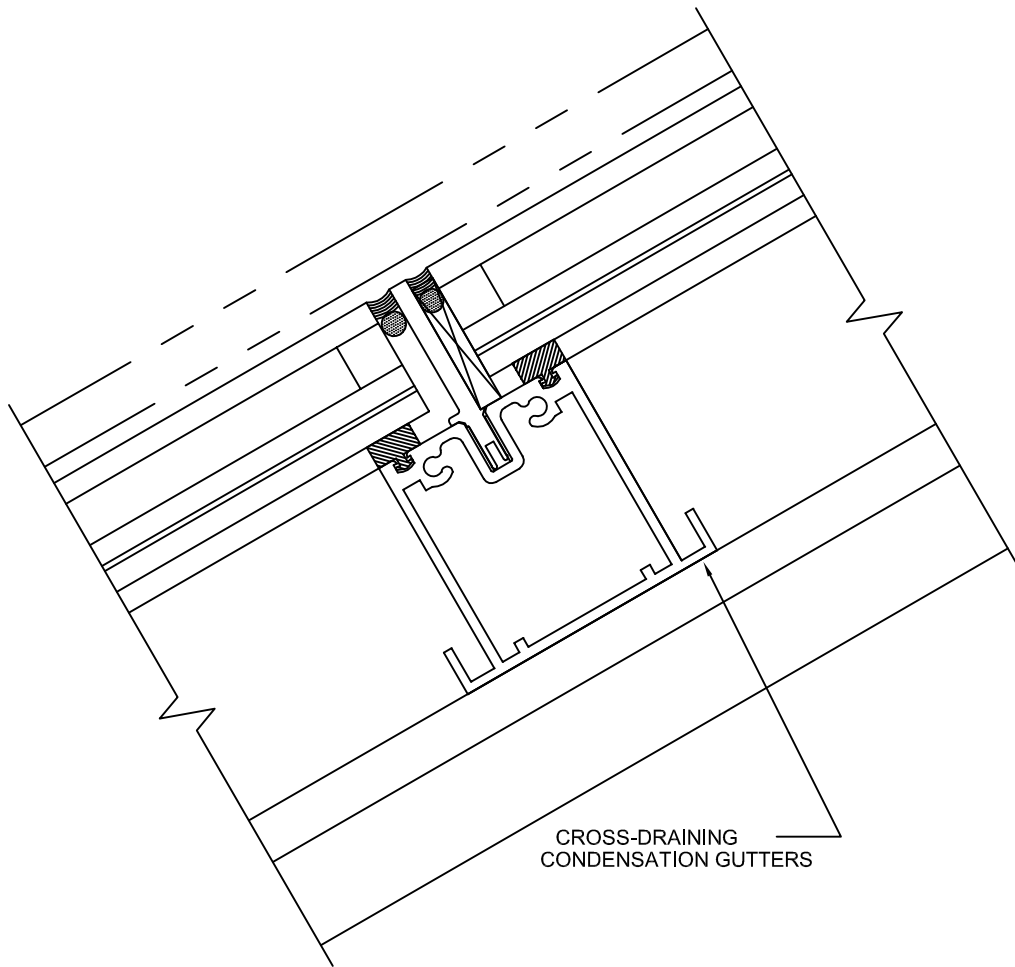
**E-Skylight, Inc.**

P.O. Box 830, Branford, CT 06405  
 866-624-3759 / (fax) 207-636-8004  
[www.e-skylight.com](http://www.e-skylight.com)

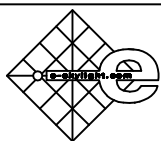
TYPICAL SILL (INSULATED)  
 CAPTURED

SYSTEM 2000™

D1A



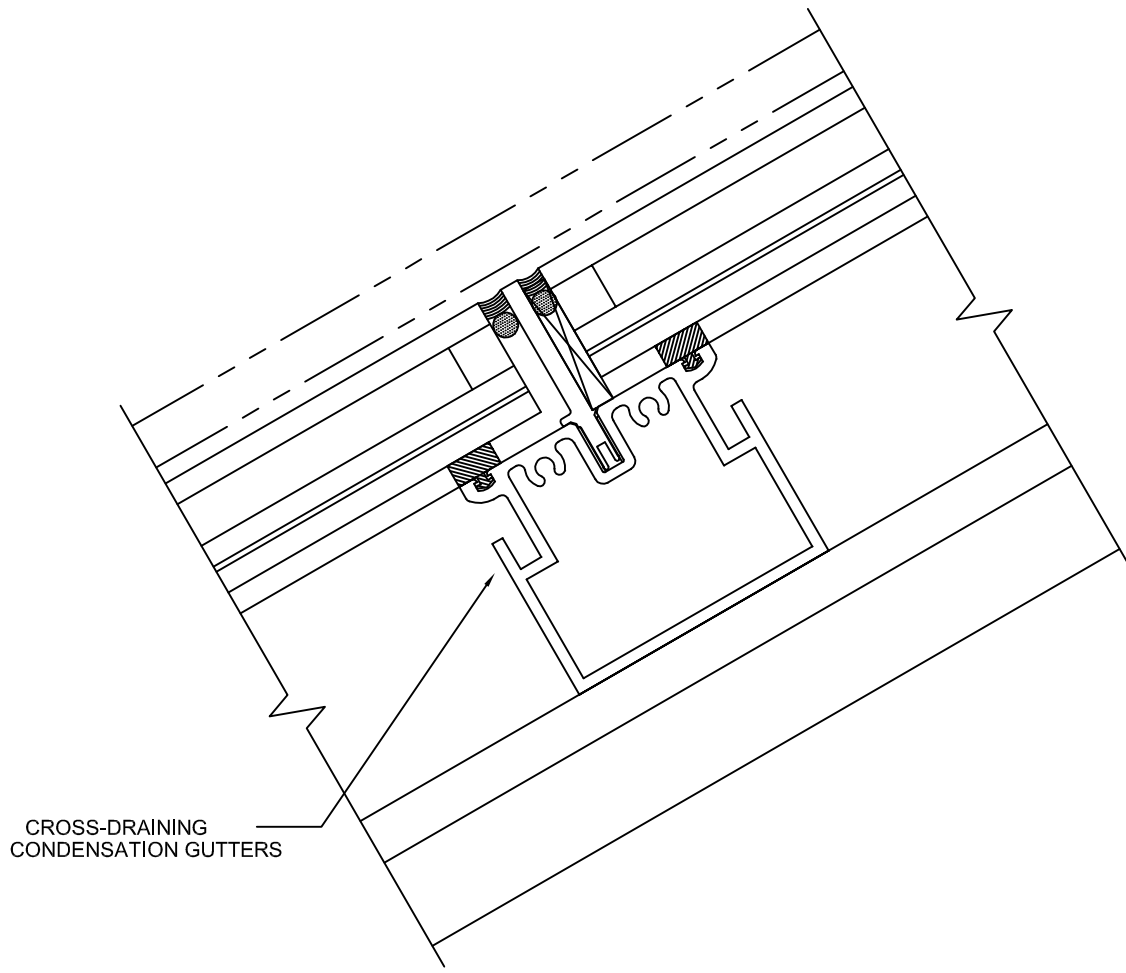
SCALE = 1/2"



**E-Skylight, Inc.**  
P.O. Box 830, Branford, CT 06405  
866-624-3759 / (fax) 207-636-8004  
[www.e-skylight.com](http://www.e-skylight.com)

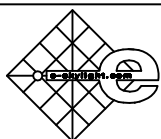
TYPICAL PURLIN  
CAPTURED  
SYSTEM 2000™

D2



CROSS-DRAINING  
CONDENSATION GUTTERS

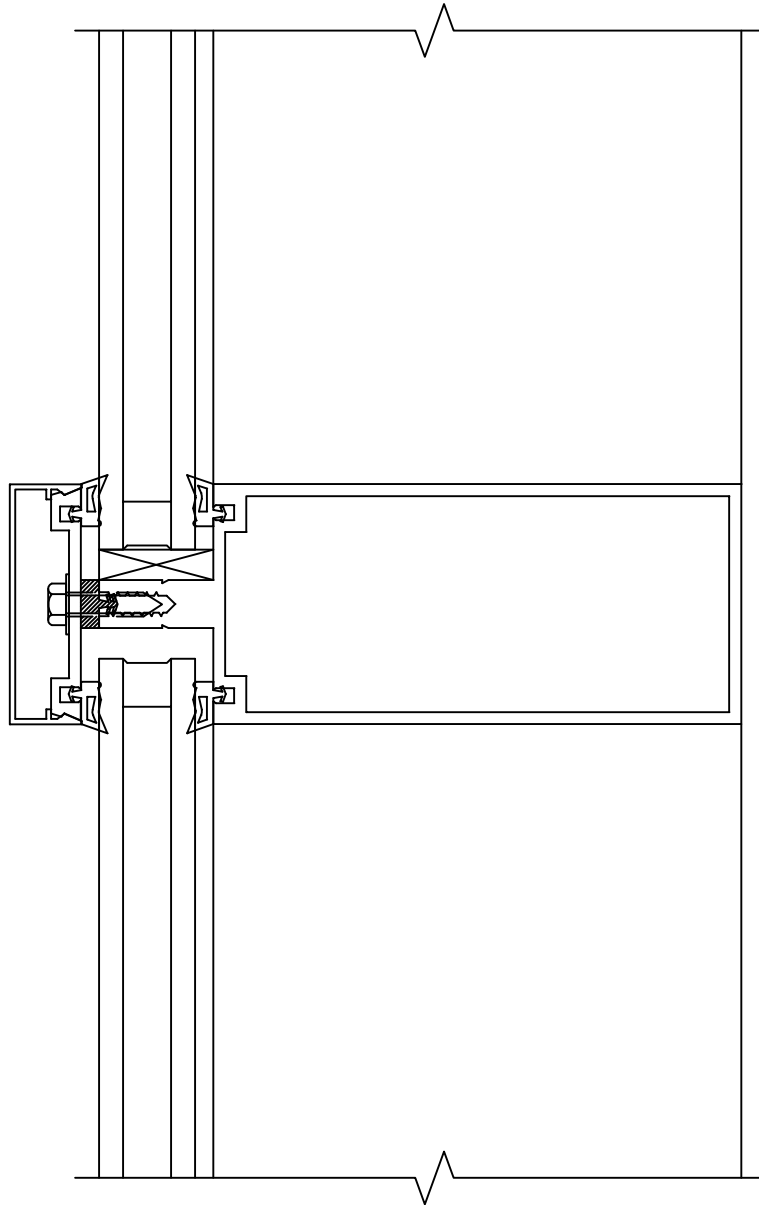
SCALE = 1/2"



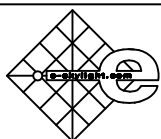
**E-Skylight, Inc.**  
 P.O. Box 830, Branford, CT 06405  
 866-624-3759 / (fax) 207-636-8004  
 www.e-skylight.com

TYPICAL PURLIN (WIDE SPAN)  
 CAPTURED  
 SYSTEM 2000™

D2A



SCALE = 1/2"



**E-Skylight, Inc.**

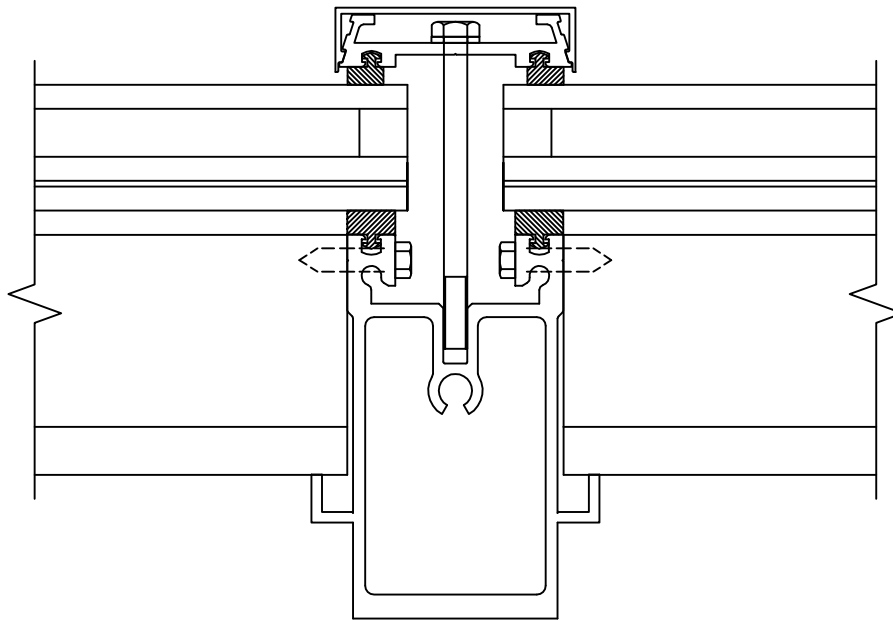
P.O. Box 830, Branford, CT 06405  
866-624-3759 / (fax) 207-636-8004  
[www.e-skylight.com](http://www.e-skylight.com)

TYPICAL HORIZONTAL MULLION  
CAPTURED

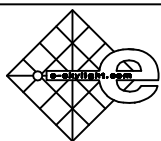
SYSTEM 2000™

D2B





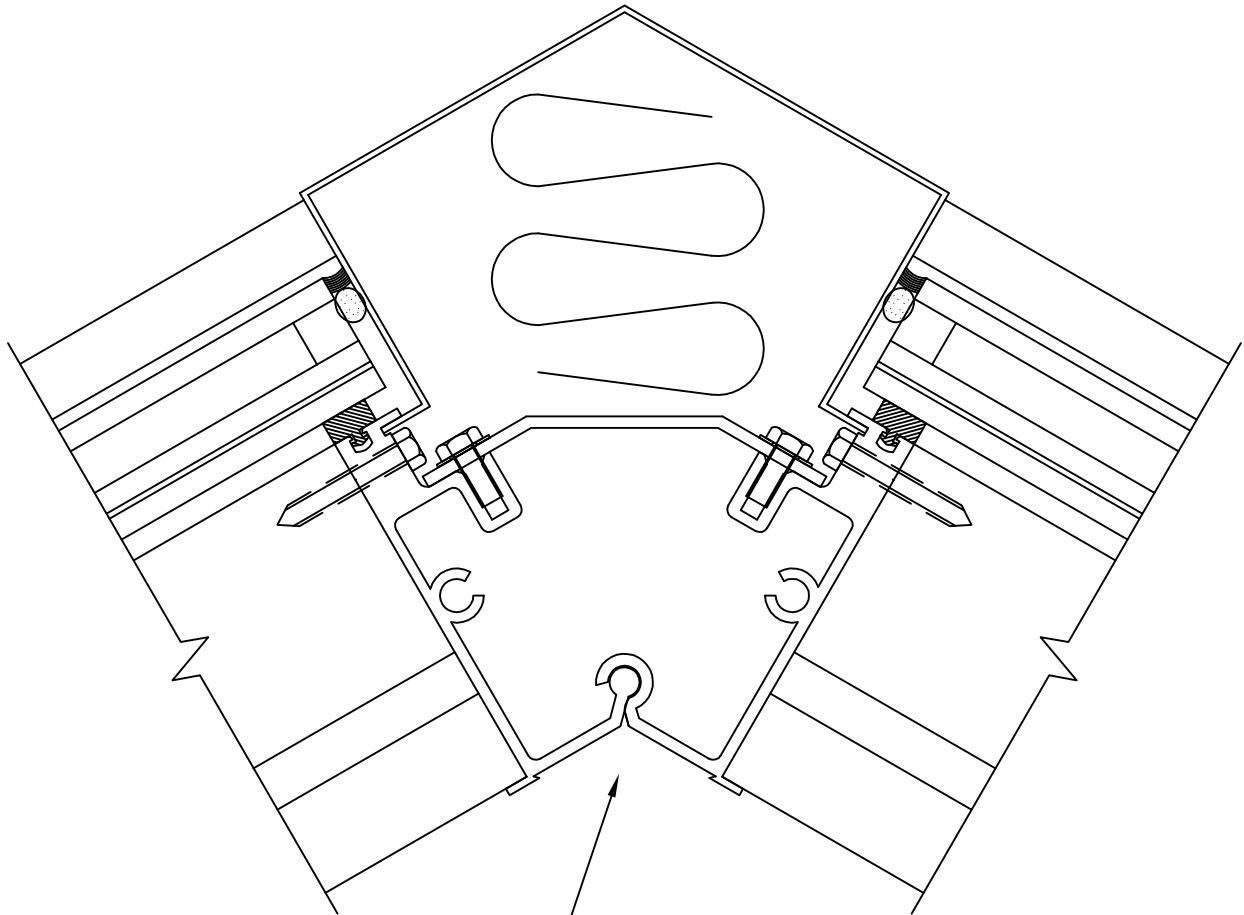
SCALE = 1/2"



**E-Skylight, Inc.**  
P.O. Box 830, Branford, CT 06405  
866-624-3759 / (fax) 207-636-8004  
[www.e-skylight.com](http://www.e-skylight.com)

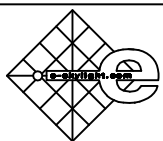
TYPICAL RAFTER  
CAPTURED  
SYSTEM 2000™

D3



HINGE PROVIDES  
ADJUSTABLE ANGLE

SCALE = 1/2"



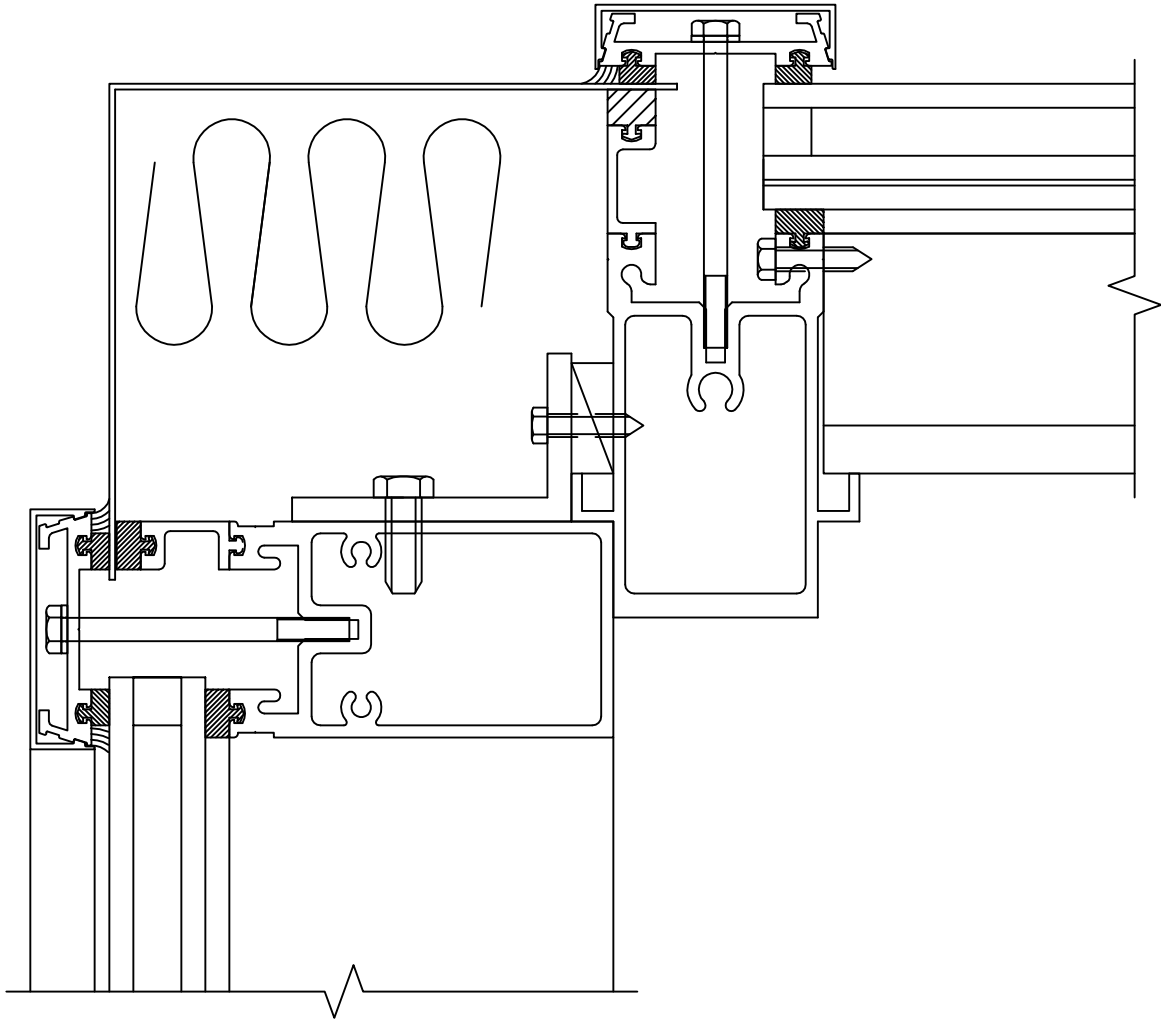
**E-Skylight, Inc.**

P.O. Box 830, Branford, CT 06405  
866-624-3759 / (fax) 207-636-8004  
www.e-skylight.com

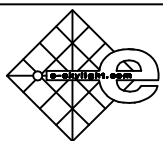
HIP RAFTER OR RIDGE  
CAPTURED

SYSTEM 2000™

D4



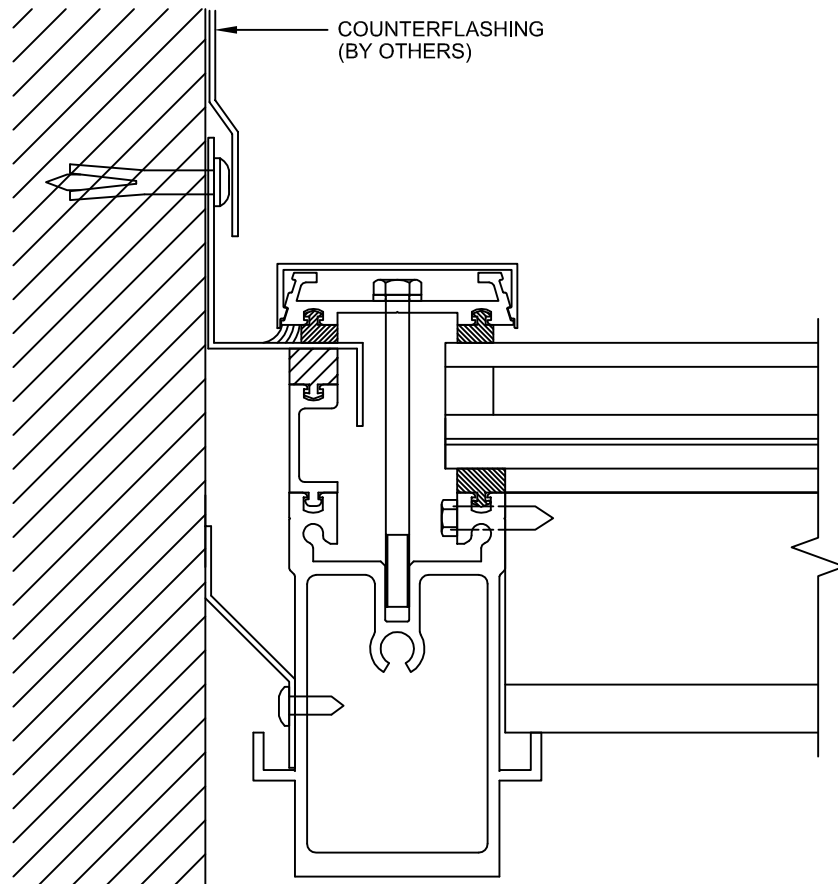
SCALE = 1/2"



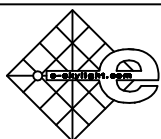
**E-Skylight, Inc.**  
P.O. Box 830, Branford, CT 06405  
866-624-3759 / (fax) 207-636-8004  
[www.e-skylight.com](http://www.e-skylight.com)

**END RAFTER / RAKE  
CAPTURED**  
SYSTEM 2000™

**D5**



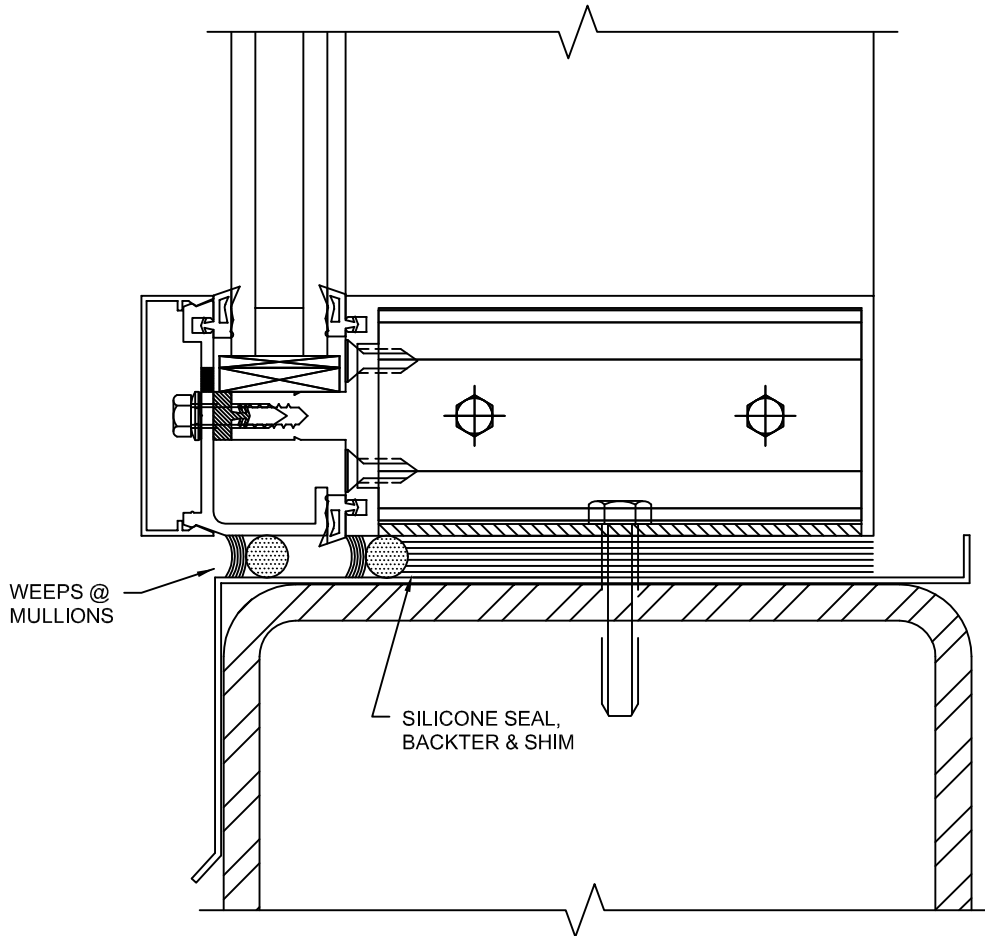
SCALE = 1/2"



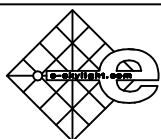
**E-Skylight, Inc.**  
P.O. Box 830, Branford, CT 06405  
866-624-3759 / (fax) 207-636-8004  
[www.e-skylight.com](http://www.e-skylight.com)

**JAMB RAFTER  
CAPTURED**  
SYSTEM 2000™

**D6**



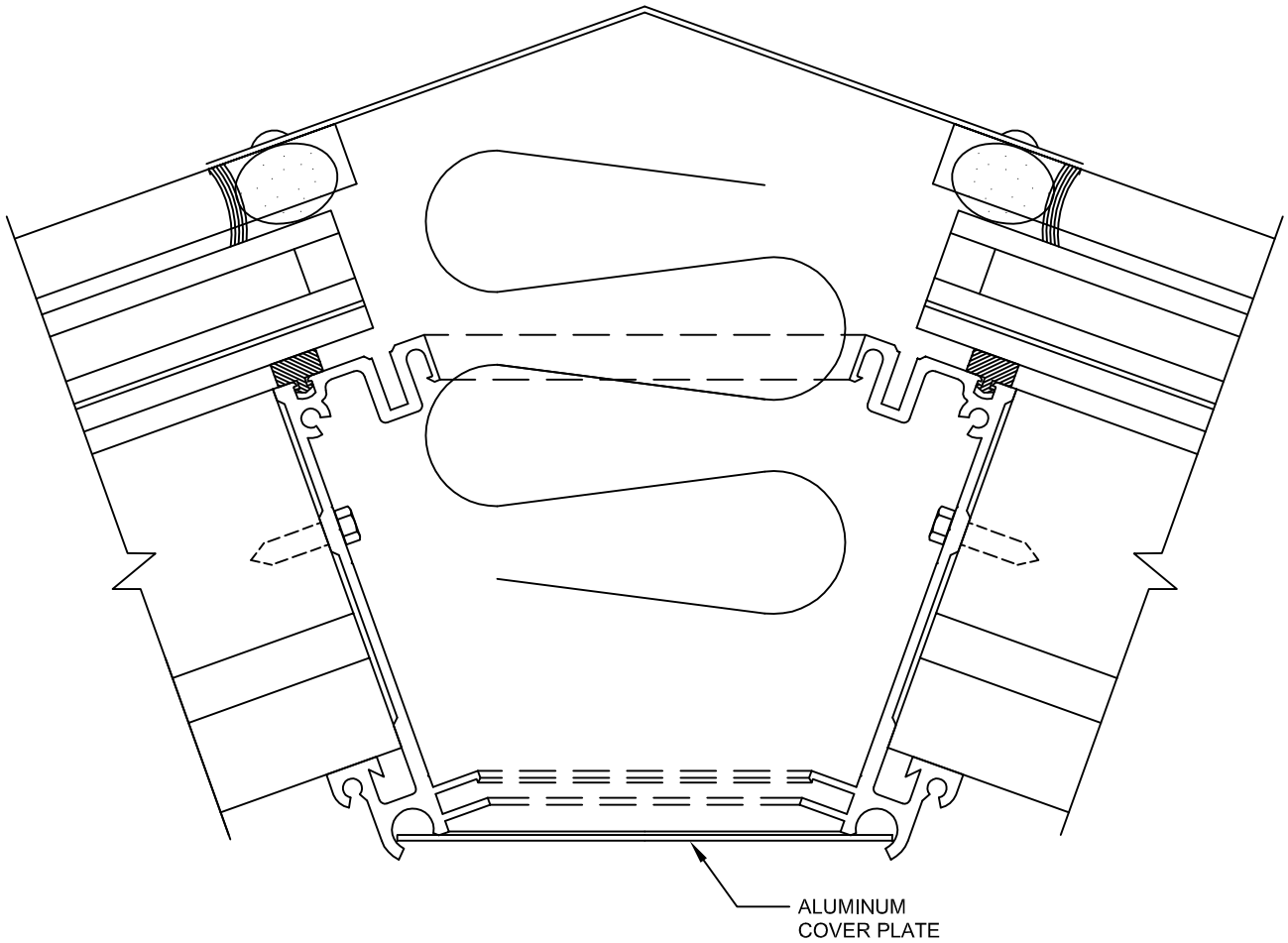
SCALE = 1/2"



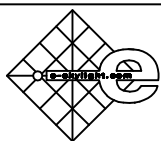
**E-Skylight, Inc.**  
 P.O. Box 830, Branford, CT 06405  
 866-624-3759 / (fax) 207-636-8004  
 www.e-skylight.com

**VERTICAL SILL  
 CAPTURED**  
 SYSTEM 2000™

**D7**



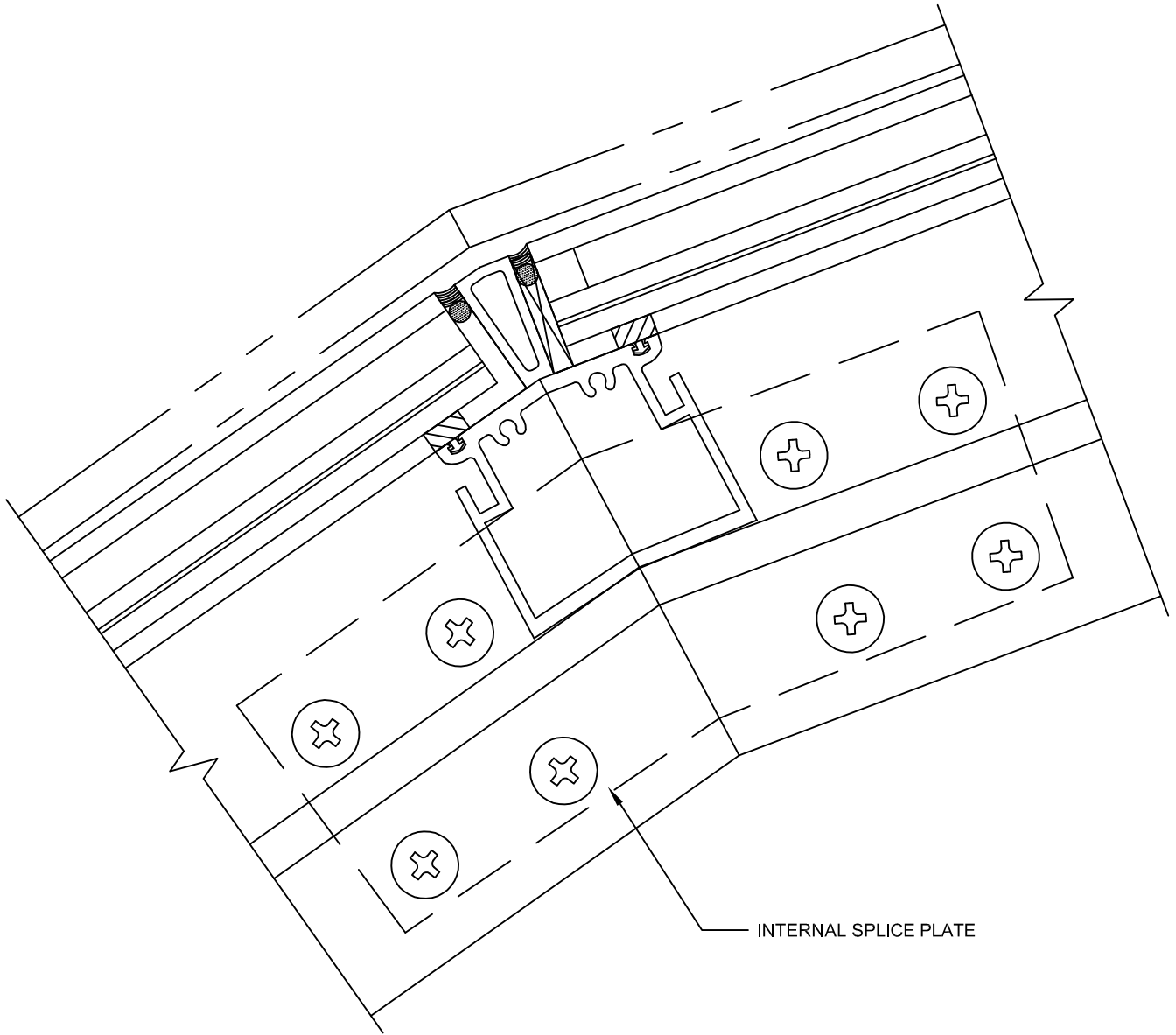
SCALE = 1/2"



**E-Skylight, Inc.**  
P.O. Box 830, Branford, CT 06405  
866-624-3759 / (fax) 207-636-8004  
[www.e-skylight.com](http://www.e-skylight.com)

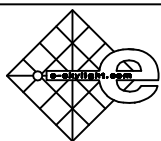
**COMPRESSION RING  
CAPTURED**  
SYSTEM 2000™

**D8**



INTERNAL SPLICE PLATE

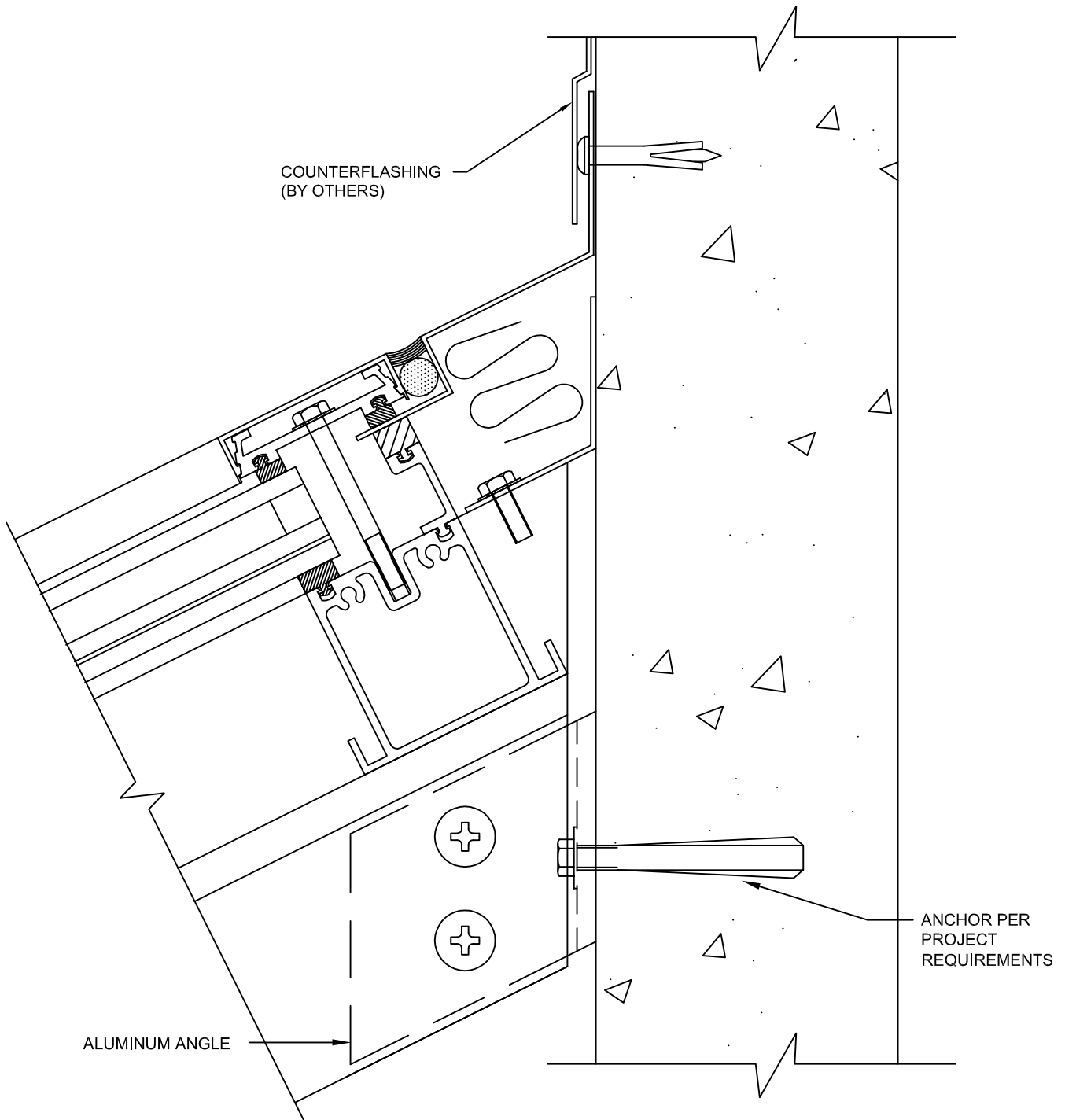
SCALE = 1/2"



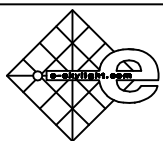
**E-Skylight, Inc.**  
P.O. Box 830, Branford, CT 06405  
866-624-3759 / (fax) 207-636-8004  
[www.e-skylight.com](http://www.e-skylight.com)

**SEGMENTED PURLIN  
CAPTURED**  
SYSTEM 2000™

**D9**



SCALE = 1/2"

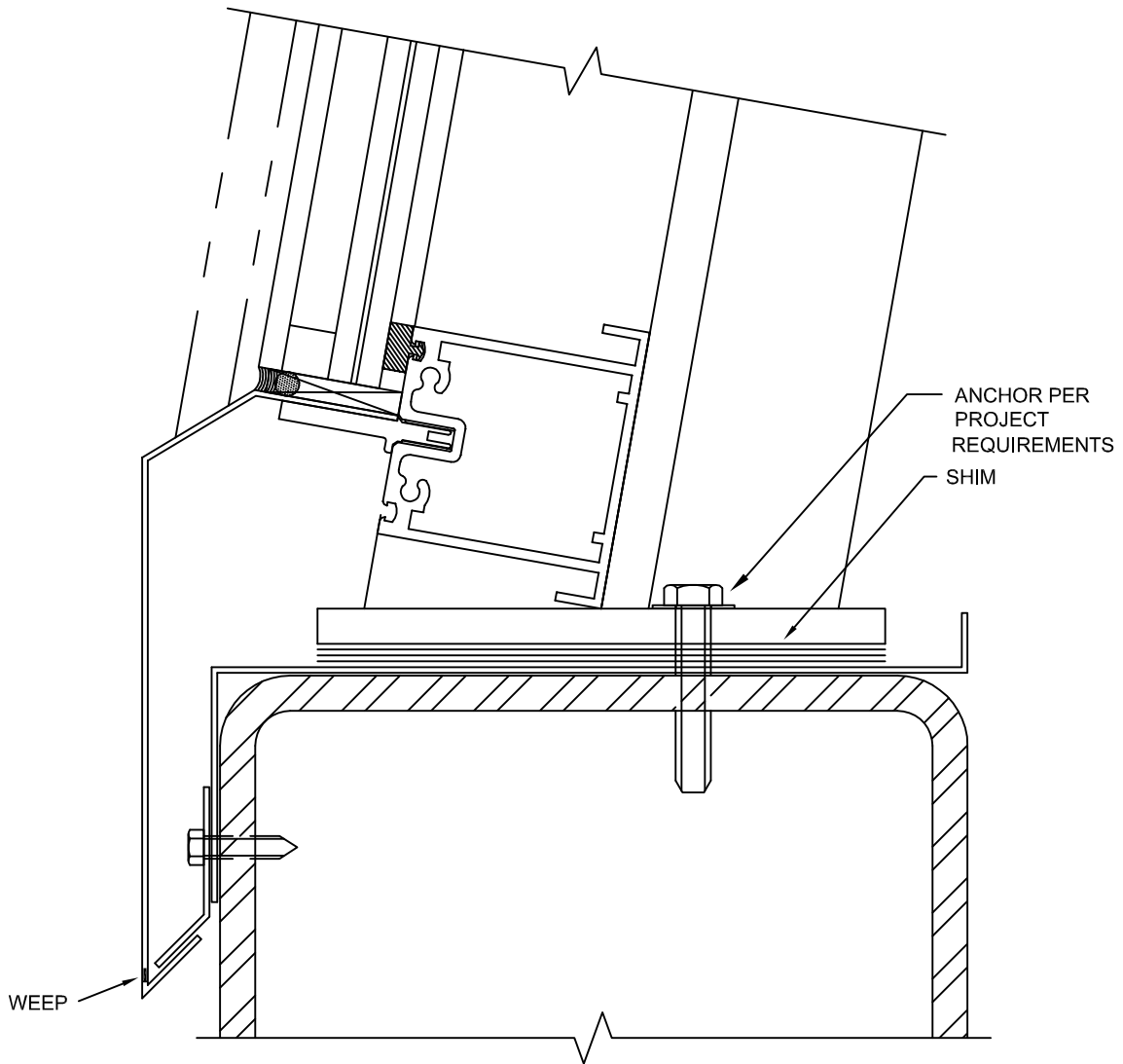


**E-Skylight, Inc.**  
 P.O. Box 830, Branford, CT 06405  
 866-624-3759 / (fax) 207-636-8004  
 www.e-skylight.com

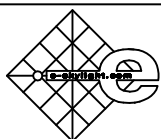
TYPICAL HEAD DETAIL  
 CAPTURED  
 SYSTEM 2000™

D10





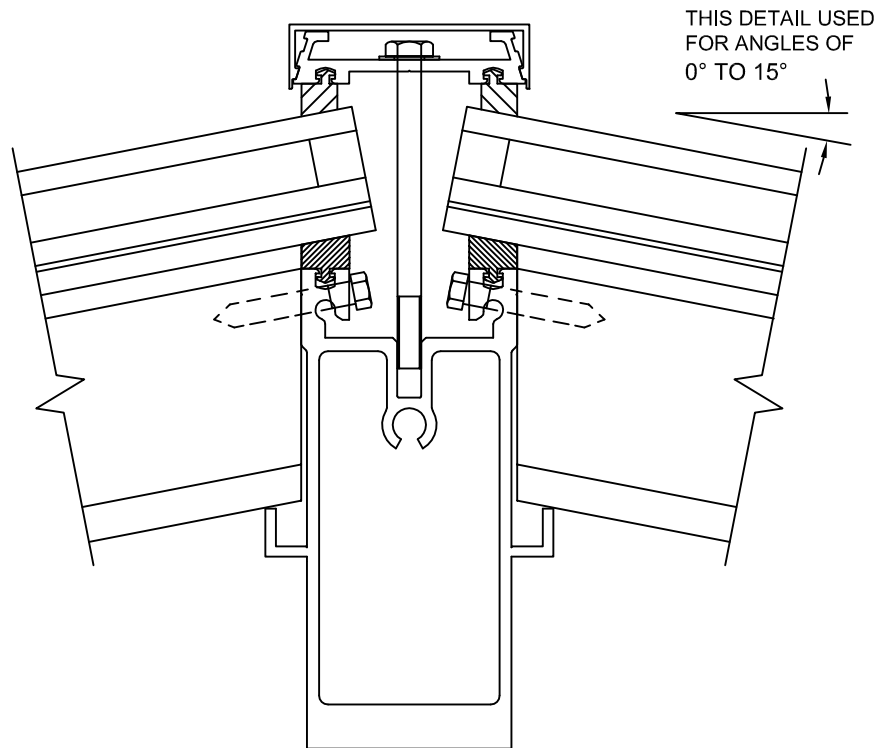
SCALE = 1/2"



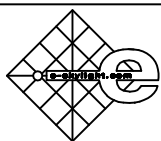
**E-Skylight, Inc.**  
 P.O. Box 830, Branford, CT 06405  
 866-624-3759 / (fax) 207-636-8004  
 www.e-skylight.com

**SILL (SEGMENTED UNIT)  
 CAPTURED**  
 SYSTEM 2000™

**D11**



SCALE = 1/2"



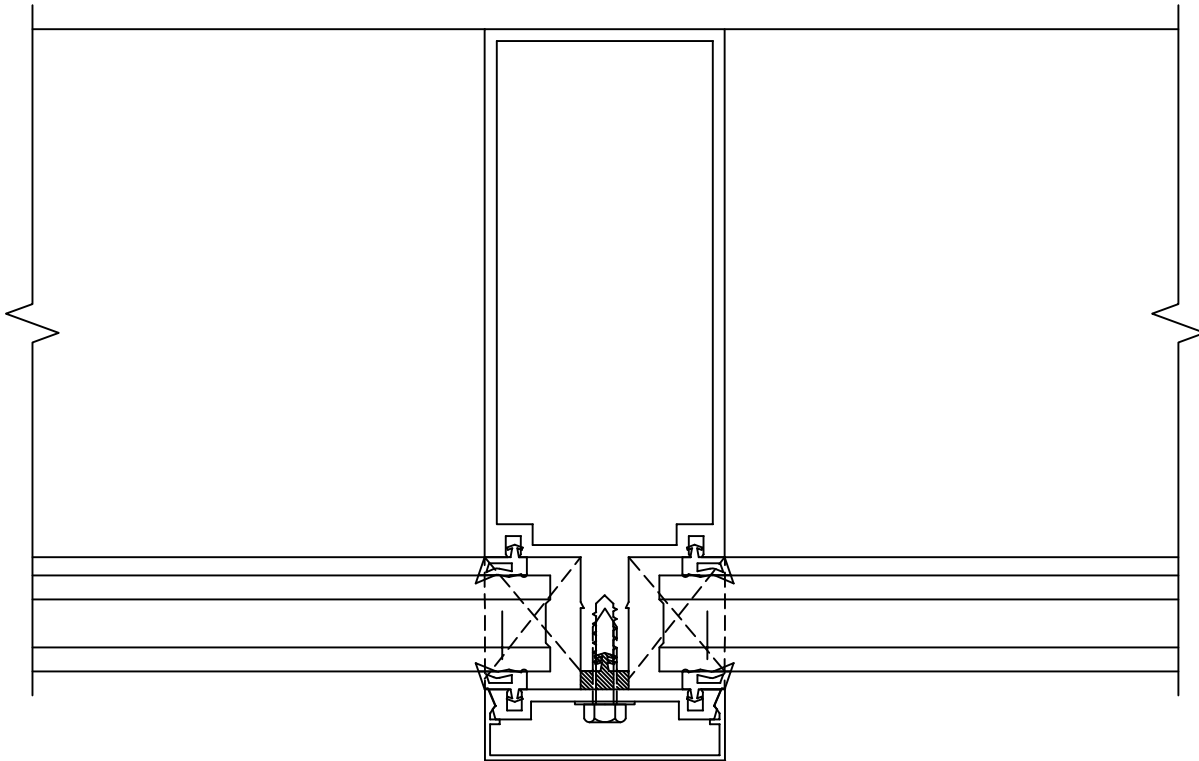
**E-Skylight, Inc.**

P.O. Box 830, Branford, CT 06405  
866-624-3759 / (fax) 207-636-8004  
[www.e-skylight.com](http://www.e-skylight.com)

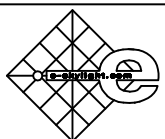
TYPICAL HIP RAFTER  
CAPTURED

SYSTEM 2000™

D12



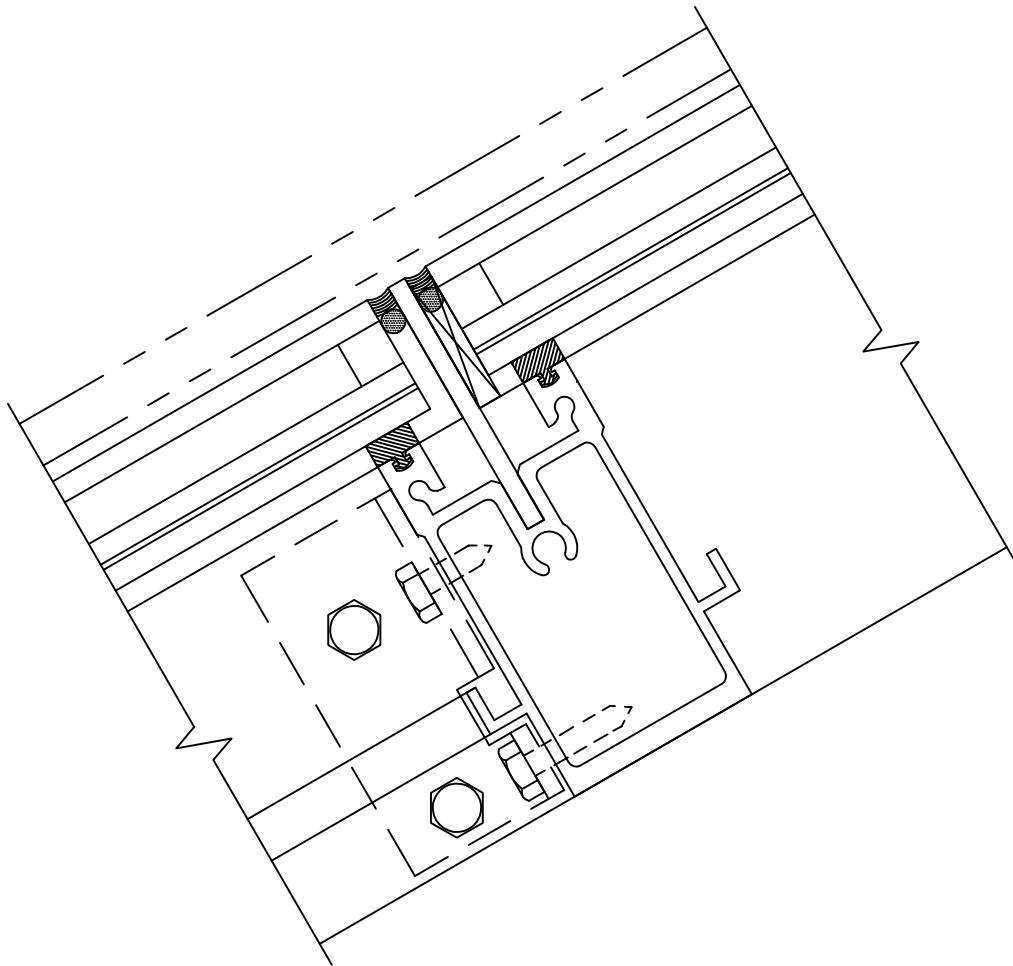
SCALE = 1/2"



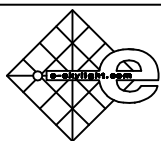
**E-Skylight, Inc.**  
P.O. Box 830, Branford, CT 06405  
866-624-3759 / (fax) 207-636-8004  
[www.e-skylight.com](http://www.e-skylight.com)

TYPICAL VERTICAL MULLION  
CAPTURED  
SYSTEM 2000™

D13



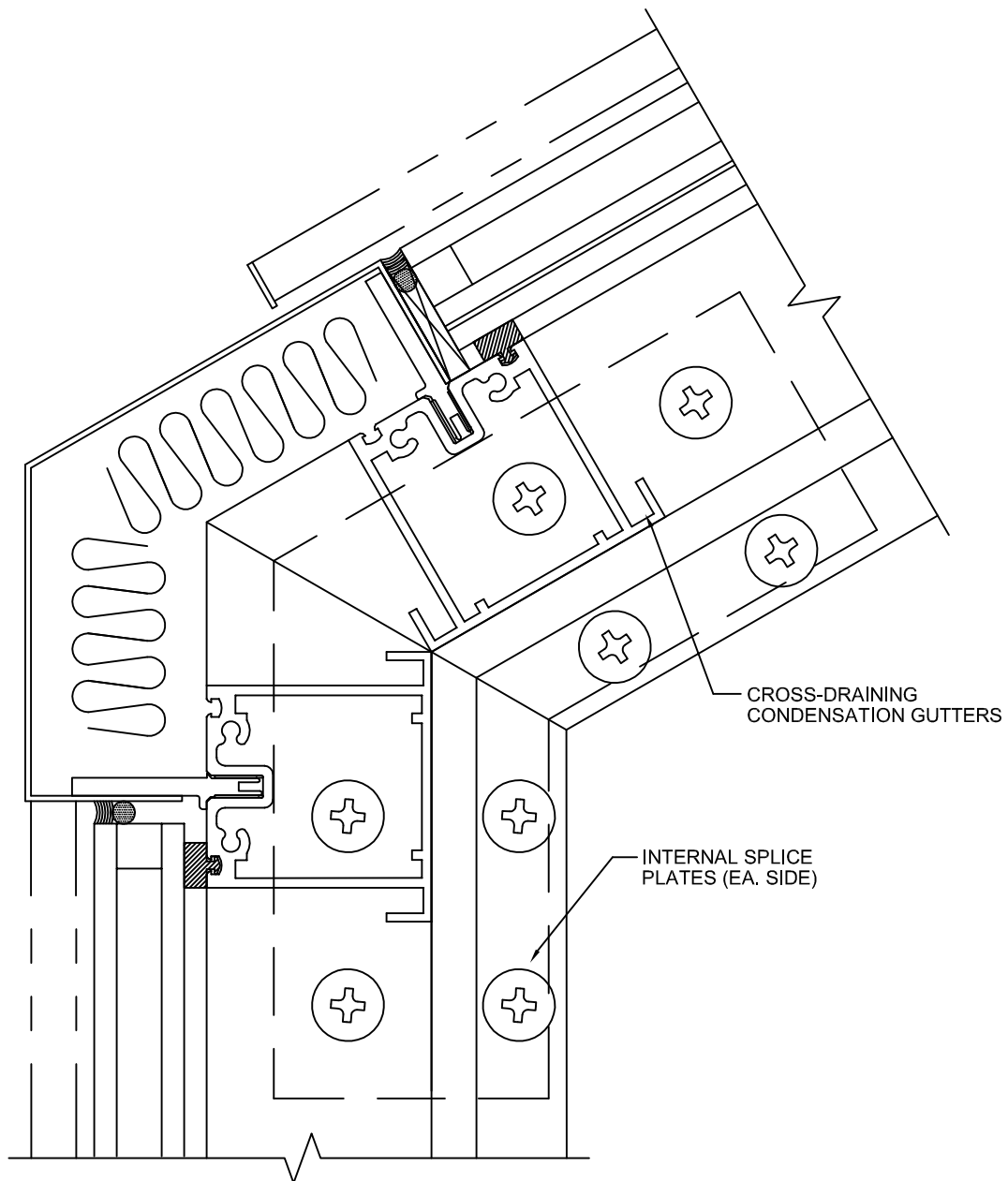
SCALE = 1/2"



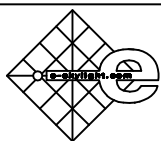
**E-Skylight, Inc.**  
P.O. Box 830, Branford, CT 06405  
866-624-3759 / (fax) 207-636-8004  
[www.e-skylight.com](http://www.e-skylight.com)

TYPICAL PURLIN (WIDE SPAN)  
CAPTURED  
SYSTEM 2000™

D14



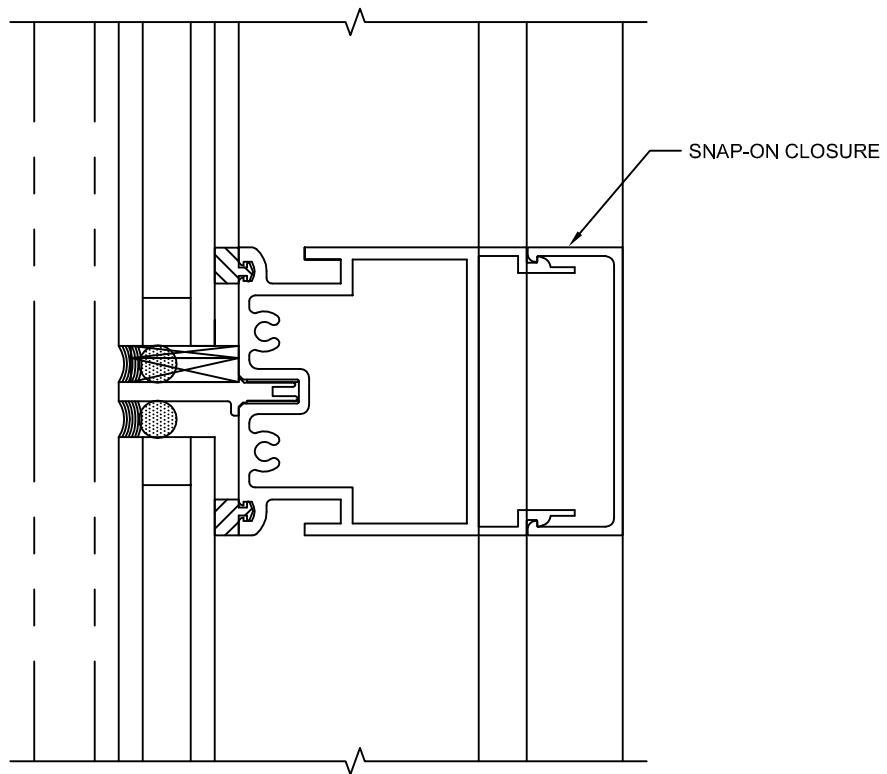
SCALE = 1/2"



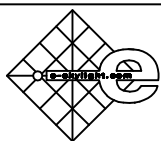
**E-Skylight, Inc.**  
 P.O. Box 830, Branford, CT 06405  
 866-624-3759 / (fax) 207-636-8004  
 www.e-skylight.com

**KNEE  
 CAPTURED**  
 SYSTEM 2000™

**D15**



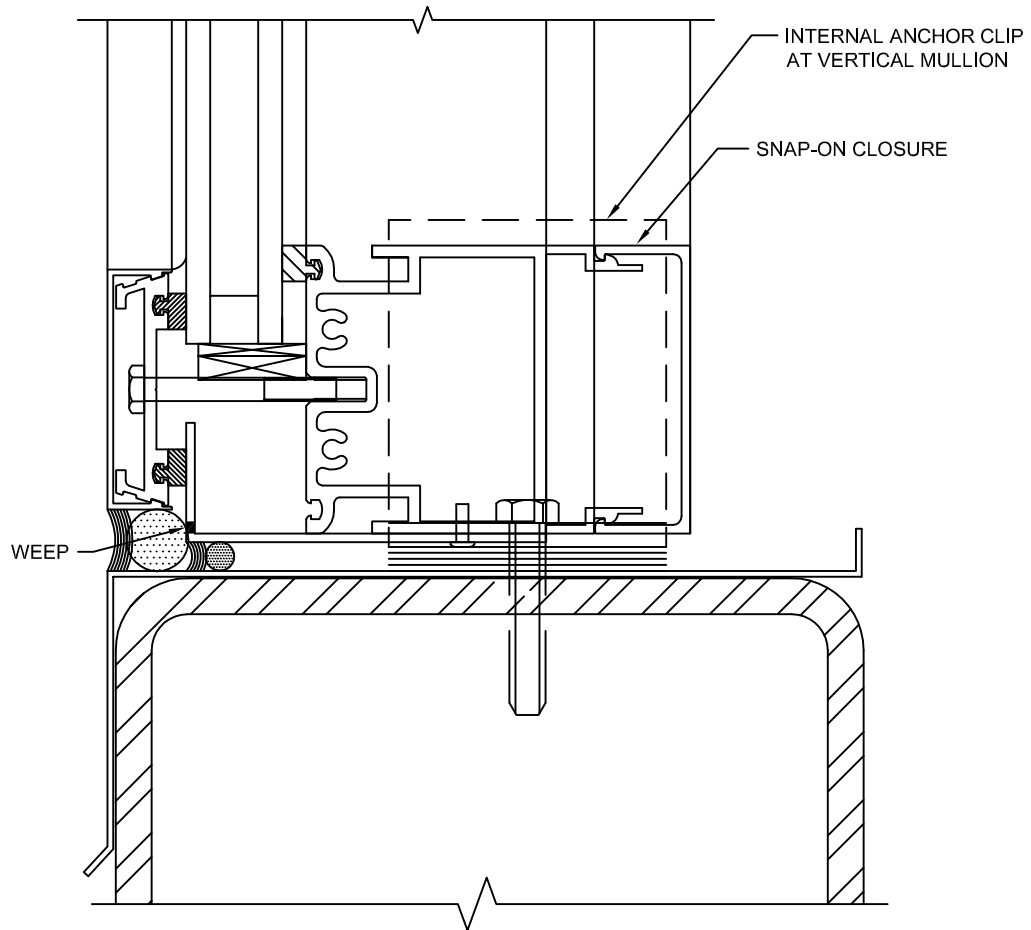
SCALE = 1/2"



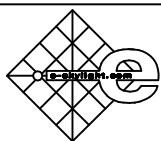
**E-Skylight, Inc.**  
P.O. Box 830, Branford, CT 06405  
866-624-3759 / (fax) 207-636-8004  
[www.e-skylight.com](http://www.e-skylight.com)

PURLIN AT VERTICAL  
CAPTURED  
SYSTEM 2000™

D16



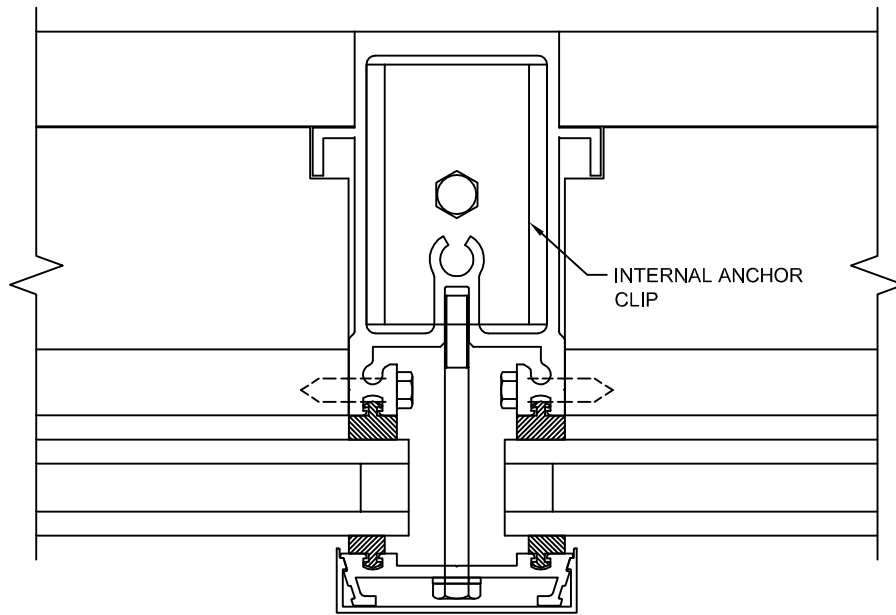
SCALE = 1/2"



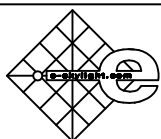
**E-Skylight, Inc.**  
 P.O. Box 830, Branford, CT 06405  
 866-624-3759 / (fax) 207-636-8004  
[www.e-skylight.com](http://www.e-skylight.com)

**PURLIN AT VERTICAL  
 CAPTURED**  
 SYSTEM 2000™

**D17**



SCALE = 1/2"

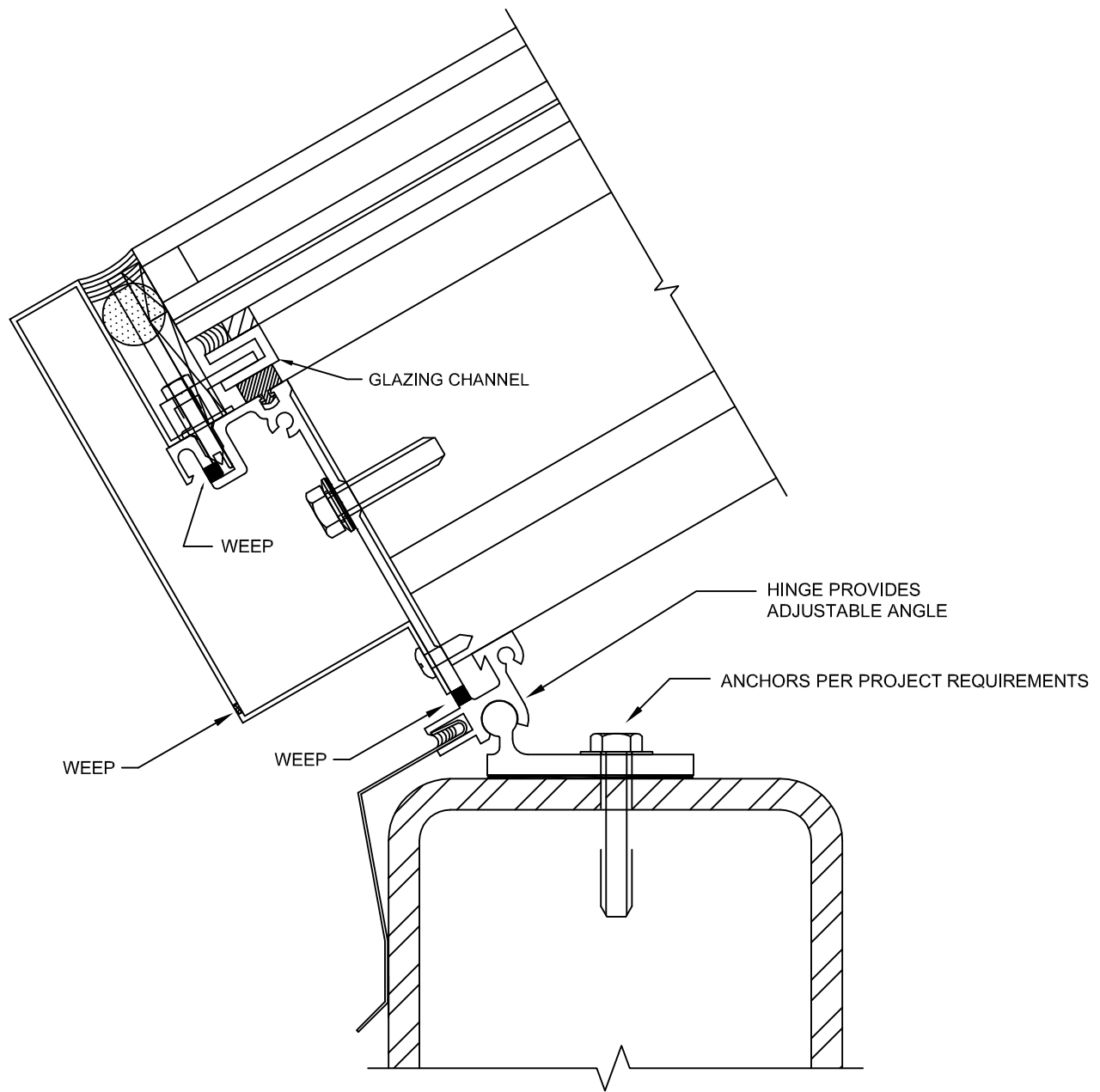


**E-Skylight, Inc.**  
P.O. Box 830, Branford, CT 06405  
866-624-3759 / (fax) 207-636-8004  
[www.e-skylight.com](http://www.e-skylight.com)

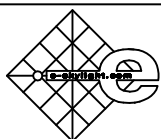
TYPICAL RAFTER  
CAPTURED  
SYSTEM 2000™

D18





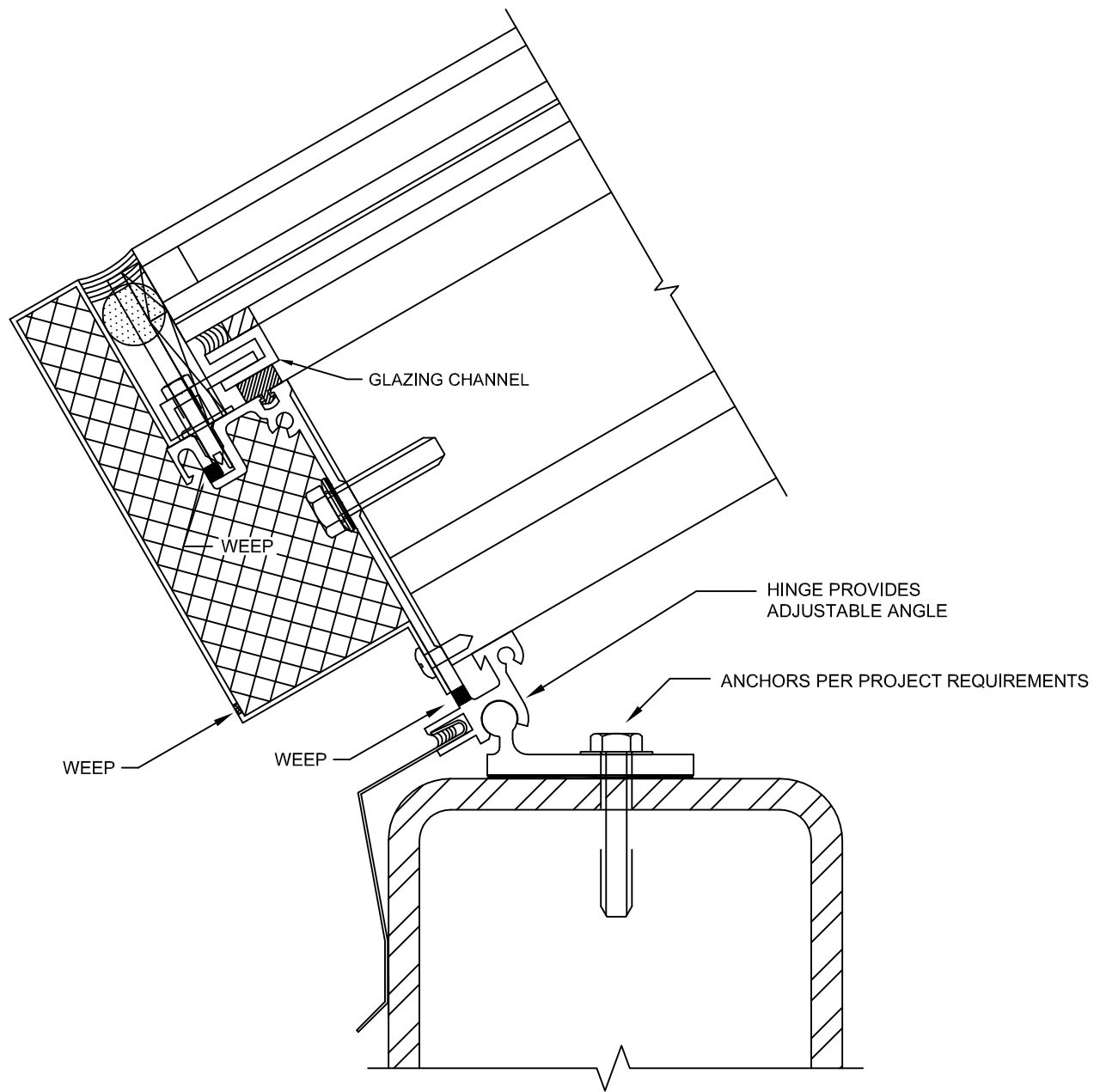
SCALE = 1/2"



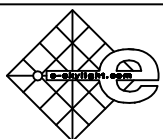
**E-Skylight, Inc.**  
 P.O. Box 830, Branford, CT 06405  
 866-624-3759 / (fax) 207-636-8004  
 www.e-skylight.com

TYPICAL SILL  
 STRUCTURALLY GLAZED (4-SIDED)  
 SYSTEM 2000™

SD1



SCALE = 1/2"

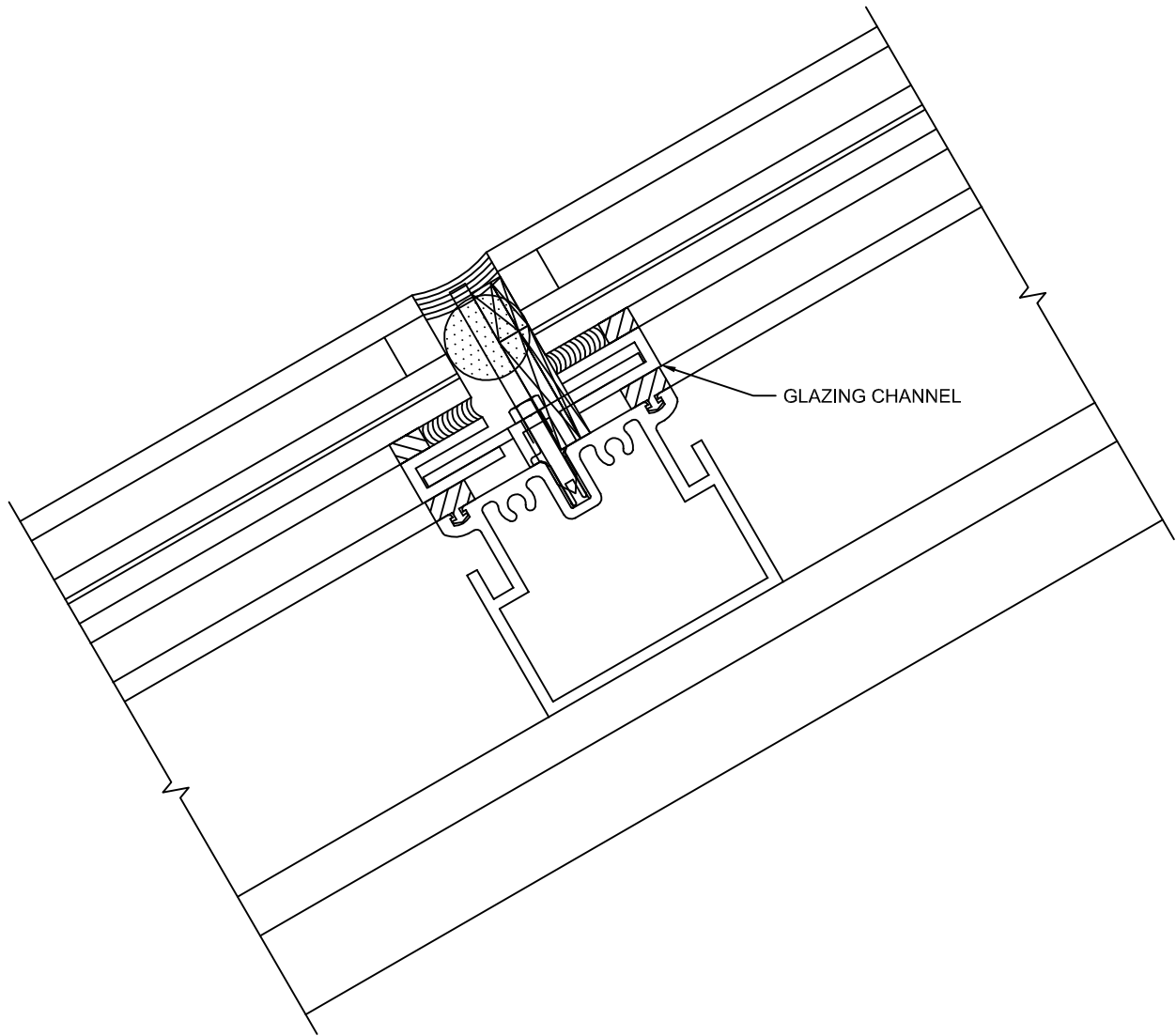


**E-Skylight, Inc.**  
 P.O. Box 830, Branford, CT 06405  
 866-624-3759 / (fax) 207-636-8004  
 www.e-skylight.com

TYPICAL SILL (INSULATED)  
 STRUCTURALLY GLAZED (4-SIDED)  
 SYSTEM 2000™

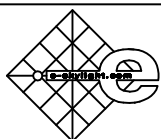
**SD1A**





GLAZING CHANNEL

SCALE = 1/2"



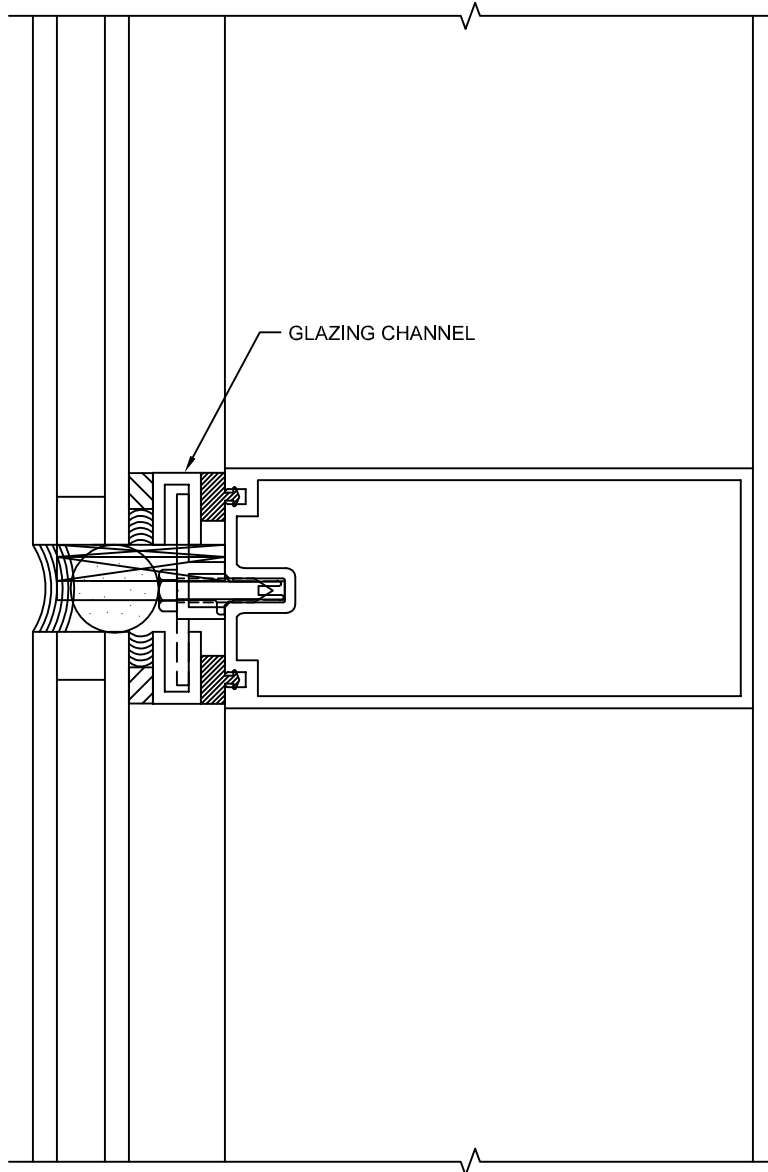
**E-Skylight, Inc.**

P.O. Box 830, Branford, CT 06405  
866-624-3759 / (fax) 207-636-8004  
[www.e-skylight.com](http://www.e-skylight.com)

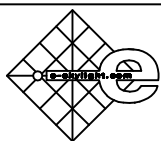
TYPICAL PURLIN (WIDE SPAN)  
STRUCTURALLY GLAZED (4-SIDED)

SYSTEM 2000™

**SD2A**



SCALE = 1/2"



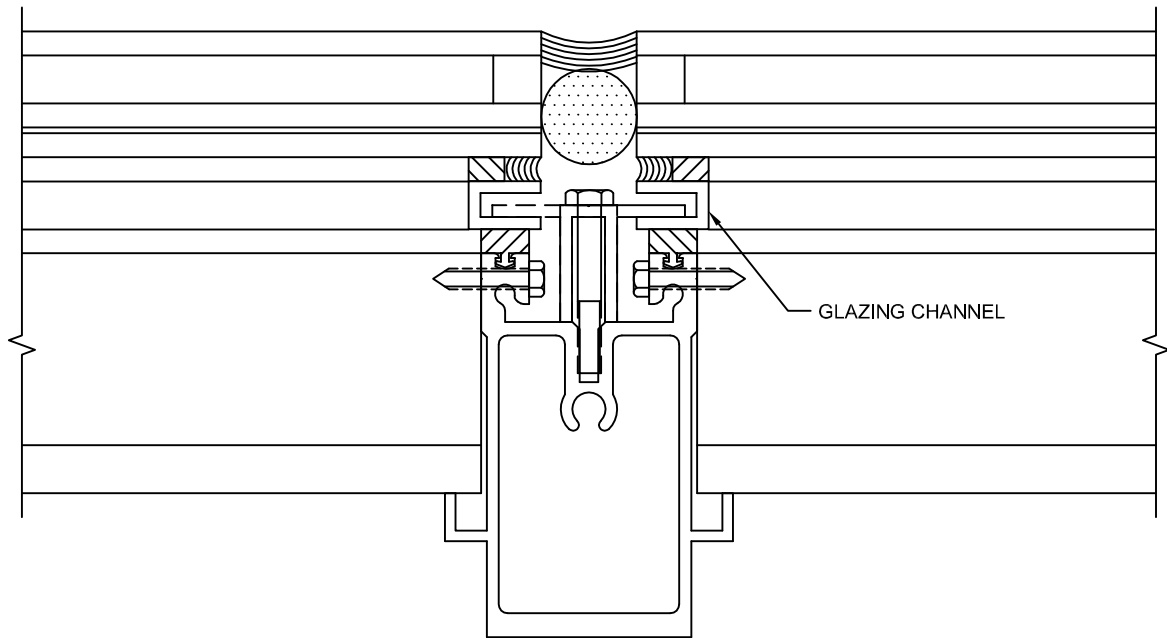
**E-Skylight, Inc.**

P.O. Box 830, Branford, CT 06405  
866-624-3759 / (fax) 207-636-8004  
[www.e-skylight.com](http://www.e-skylight.com)

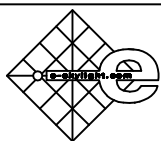
TYPICAL HORIZONTAL MULLION  
STRUCTURALLY GLAZED (4-SIDED)

SYSTEM 2000™

**SD2B**



SCALE = 1/2"



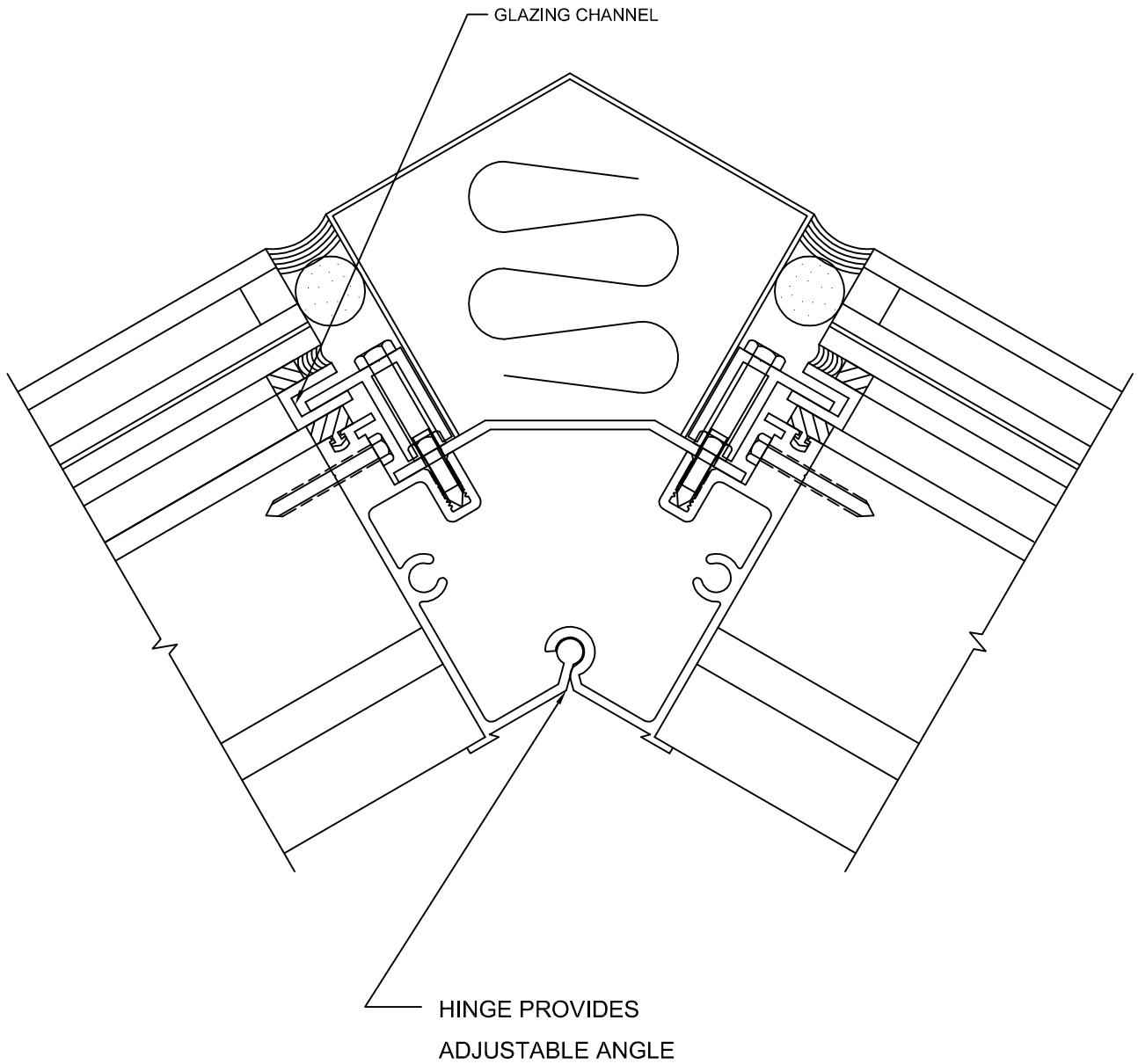
**E-Skylight, Inc.**

P.O. Box 830, Branford, CT 06405  
866-624-3759 / (fax) 207-636-8004  
[www.e-s skylight.com](http://www.e-s skylight.com)

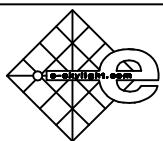
TYPICAL RAFTER  
STRUCTURALLY GLAZED (4-SIDED)

SYSTEM 2000™

SD3



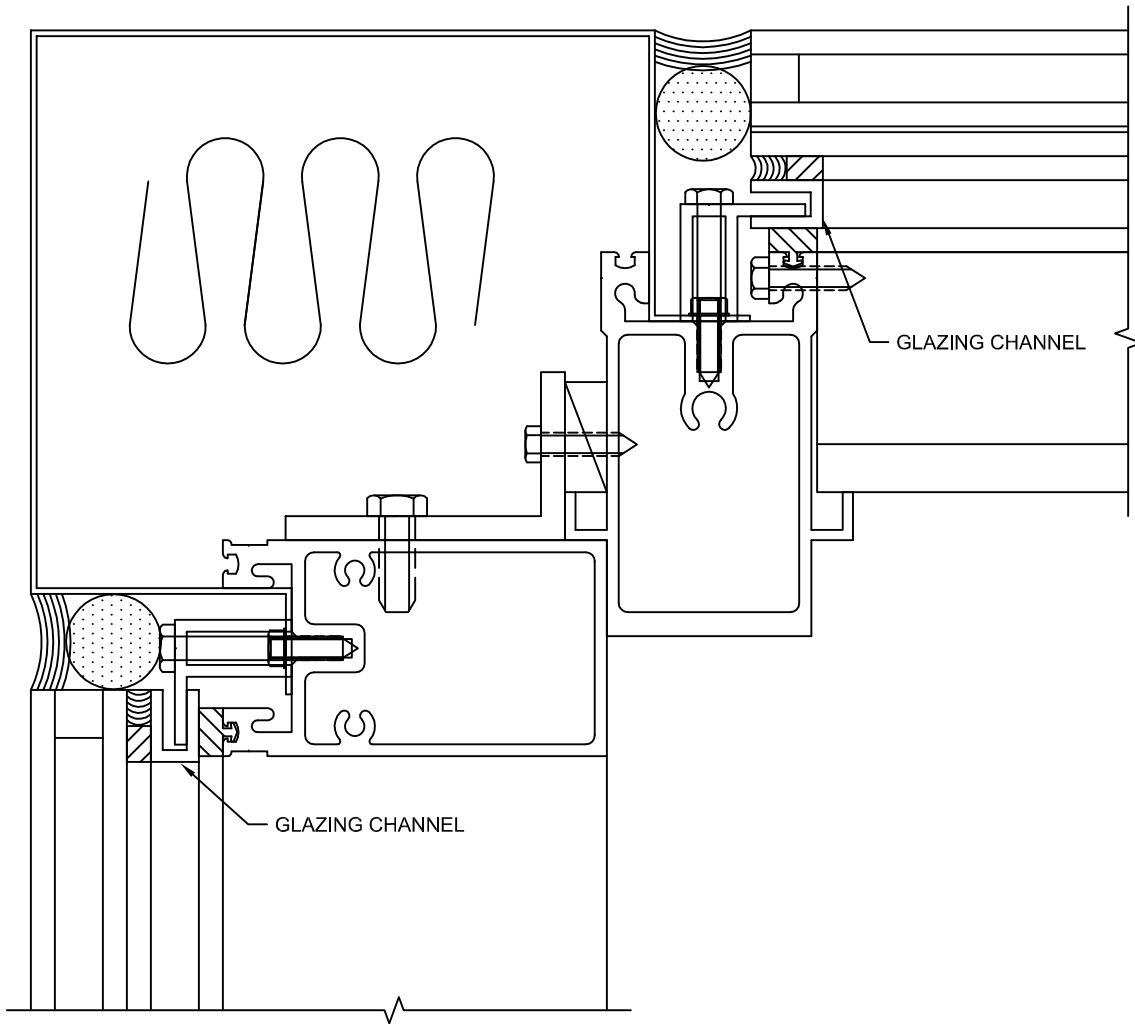
SCALE = 1/2"



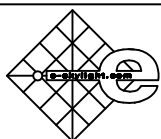
**E-Skylight, Inc.**  
P.O. Box 830, Branford, CT 06405  
866-624-3759 / (fax) 207-636-8004  
www.e-skylight.com

**HIP RAFTER OR RIDGE  
STRUCTURALLY GLAZED (4-SIDED)  
SYSTEM 2000™**

**SD4**



SCALE = 1/2"

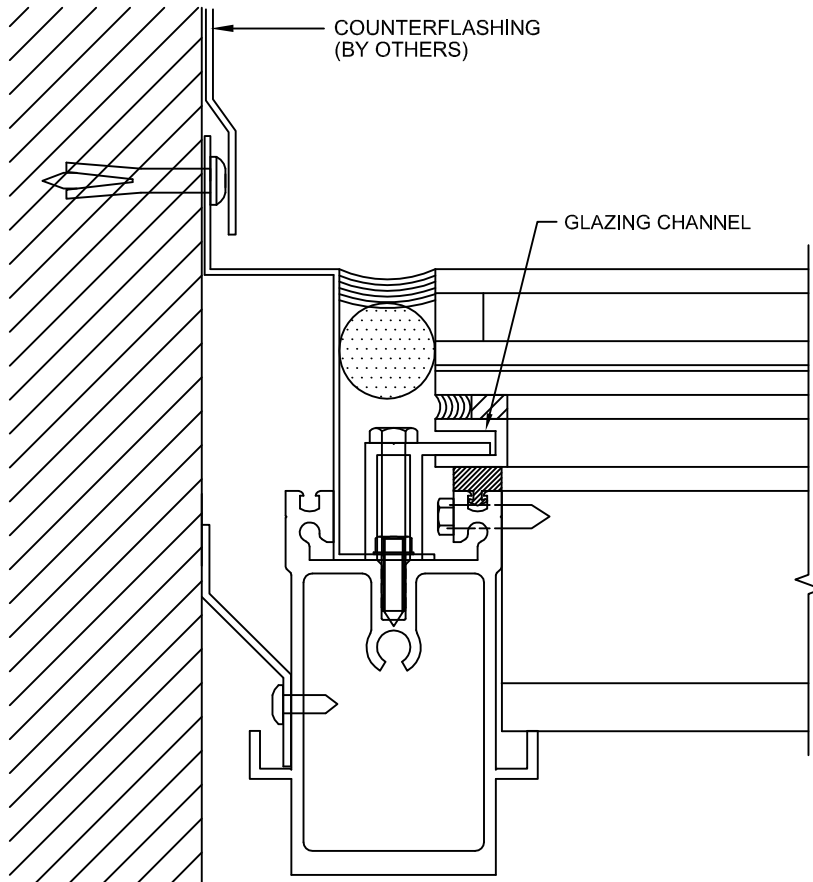


**E-Skylight, Inc.**  
 P.O. Box 830, Branford, CT 06405  
 866-624-3759 / (fax) 207-636-8004  
 www.e-skylight.com

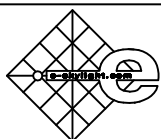
**END RAFTER / RAKE  
 STRUCTURALLY GLAZED (4-SIDED)  
 SYSTEM 2000™**

**SD5**





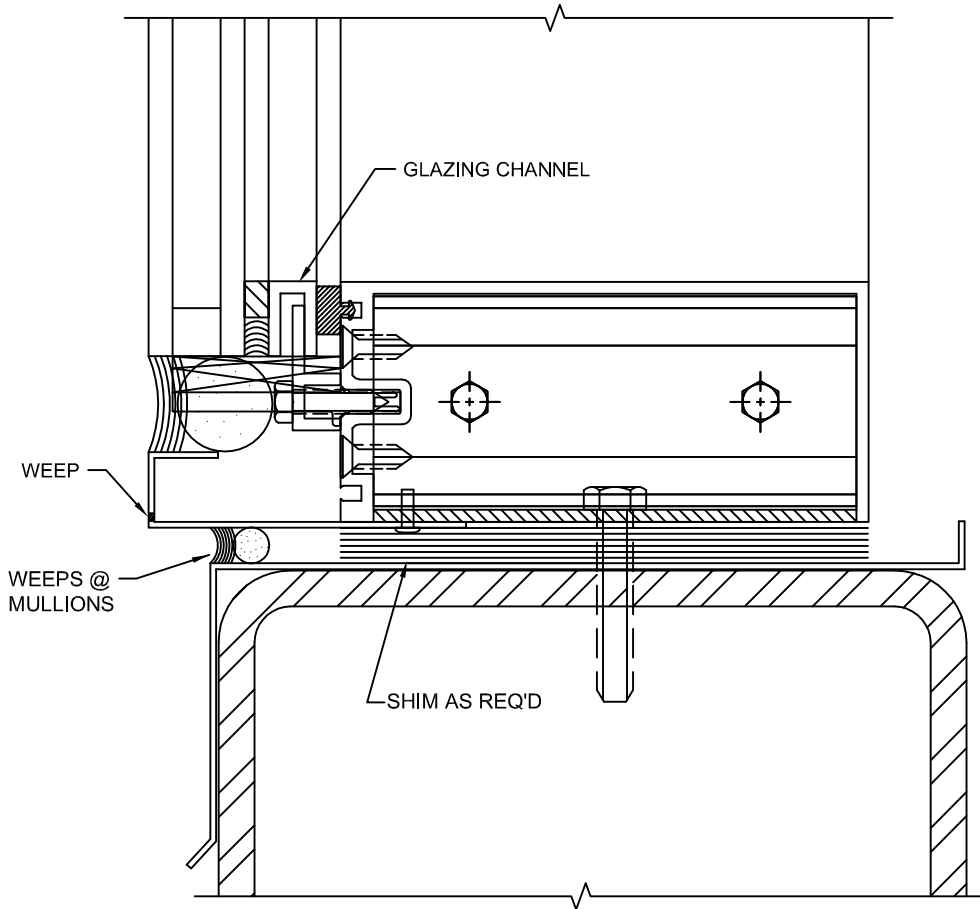
SCALE = 1/2"



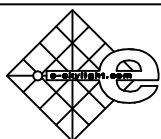
**E-Skylight, Inc.**  
 P.O. Box 830, Branford, CT 06405  
 866-624-3759 / (fax) 207-636-8004  
 www.e-skylight.com

**JAMB RAFTER  
 STRUCTURALLY GLAZED (4-SIDED)  
 SYSTEM 2000™**

**SD6**



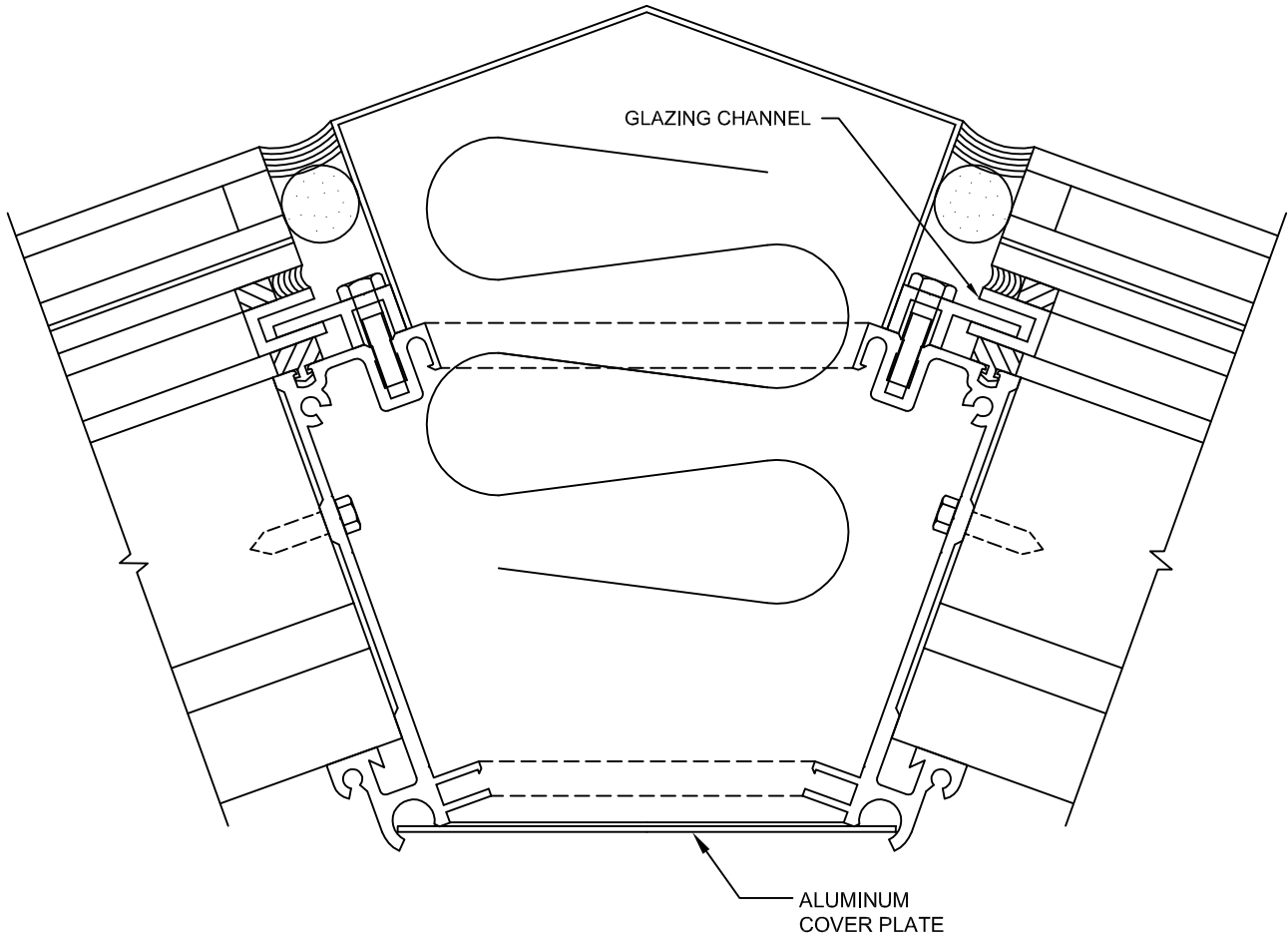
SCALE = 1/2"



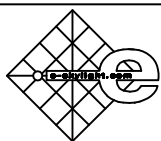
**E-Skylight, Inc.**  
P.O. Box 830, Branford, CT 06405  
866-624-3759 / (fax) 207-636-8004  
www.e-skylight.com

**VERTICAL SILL  
STRUCTURALLY GLAZED (4-SIDED)  
SYSTEM 2000™**

**SD7**



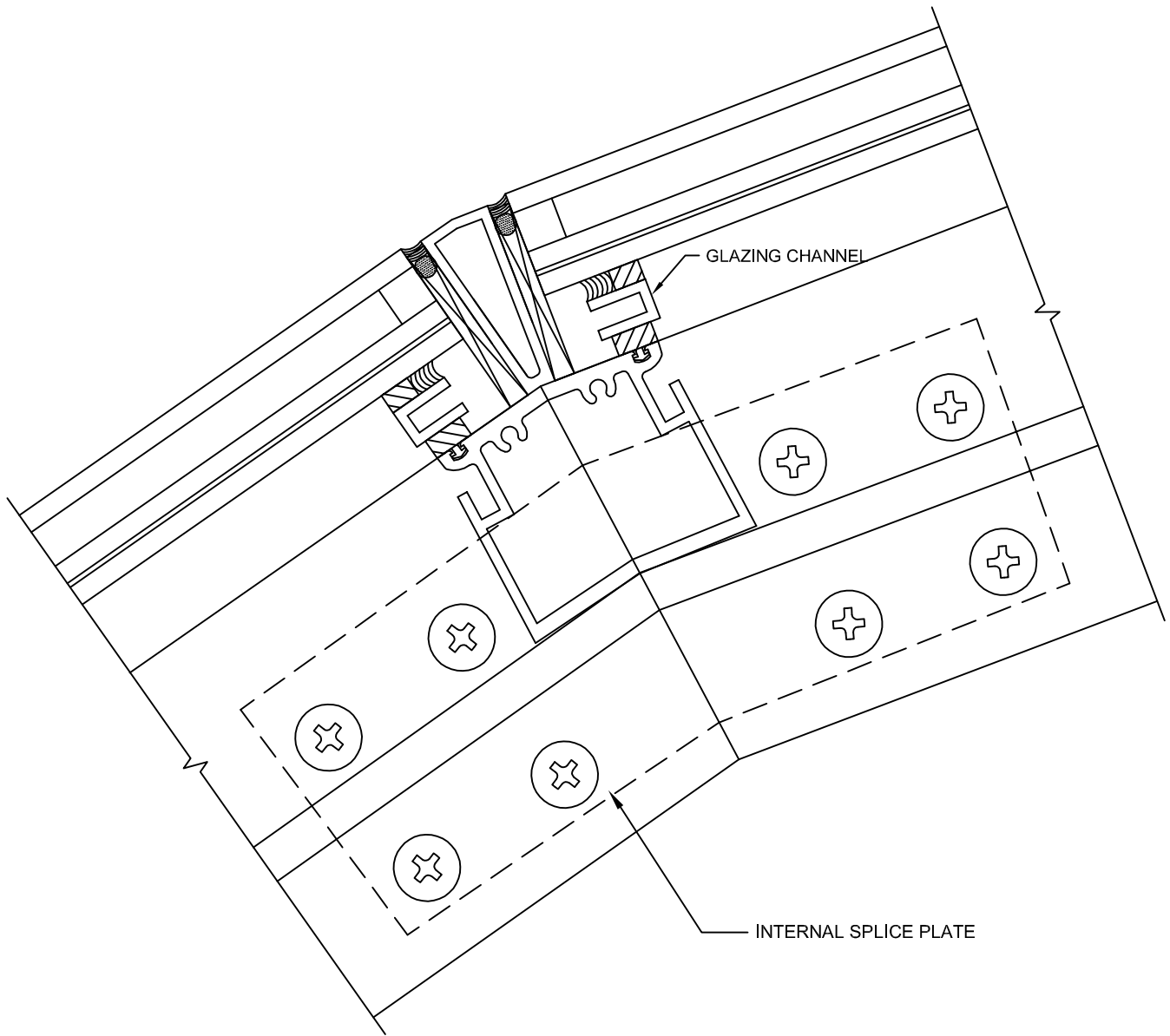
SCALE = 1/2"



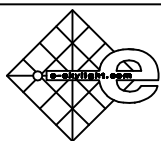
**E-Skylight, Inc.**  
 P.O. Box 830, Branford, CT 06405  
 866-624-3759 / (fax) 207-636-8004  
 www.e-skylight.com

**COMPRESSSION RING  
 STRUCTURALLY GLAZED (4-SIDED)  
 SYSTEM 2000™**

**SD8**



SCALE = 1/2"



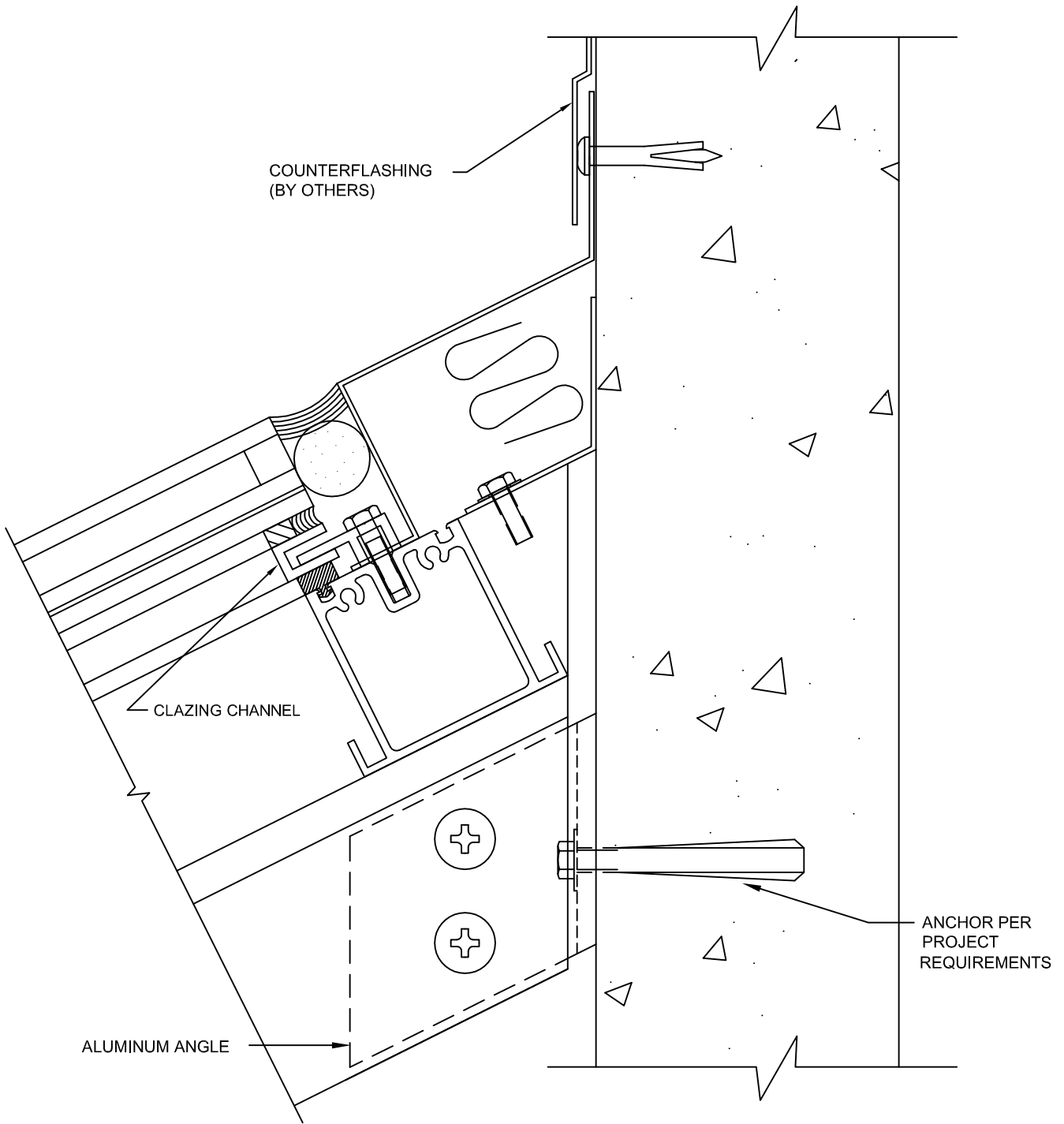
**E-Skylight, Inc.**

P.O. Box 830, Branford, CT 06405  
866-624-3759 / (fax) 207-636-8004  
[www.e-skylight.com](http://www.e-skylight.com)

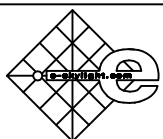
SEGMENTED PURLIN  
STRUCTURALLY GLAZED (4-SIDED)

SYSTEM 2000™

SD9



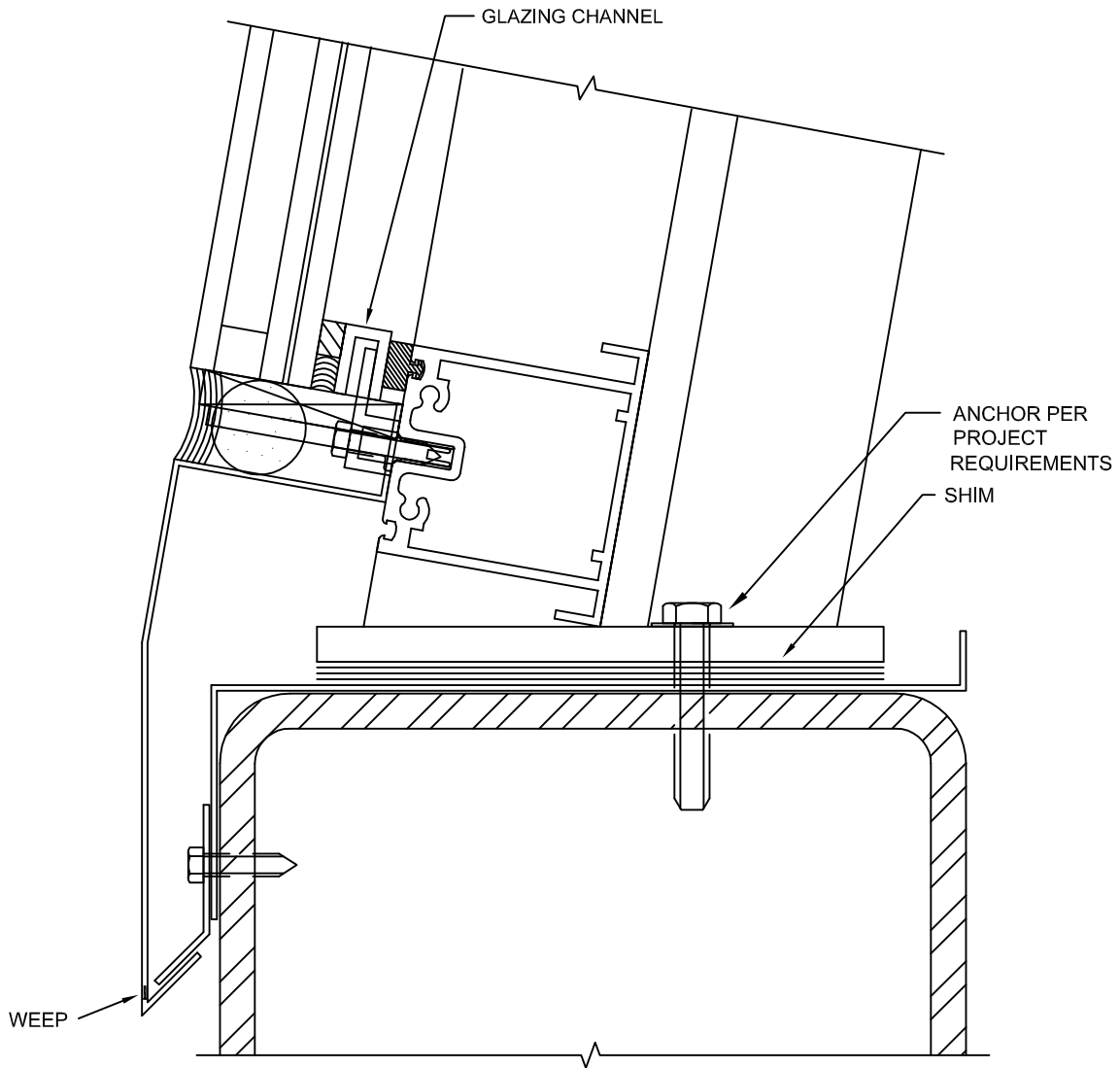
SCALE = 1/2"



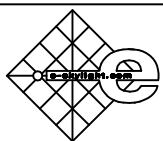
**E-Skylight, Inc.**  
 P.O. Box 830, Branford, CT 06405  
 866-624-3759 / (fax) 207-636-8004  
 www.e-skylight.com

TYPICAL HEAD  
 STRUCTURALLY GLAZED (4-SIDED)  
 SYSTEM 2000™

SD10



SCALE = 1/2"



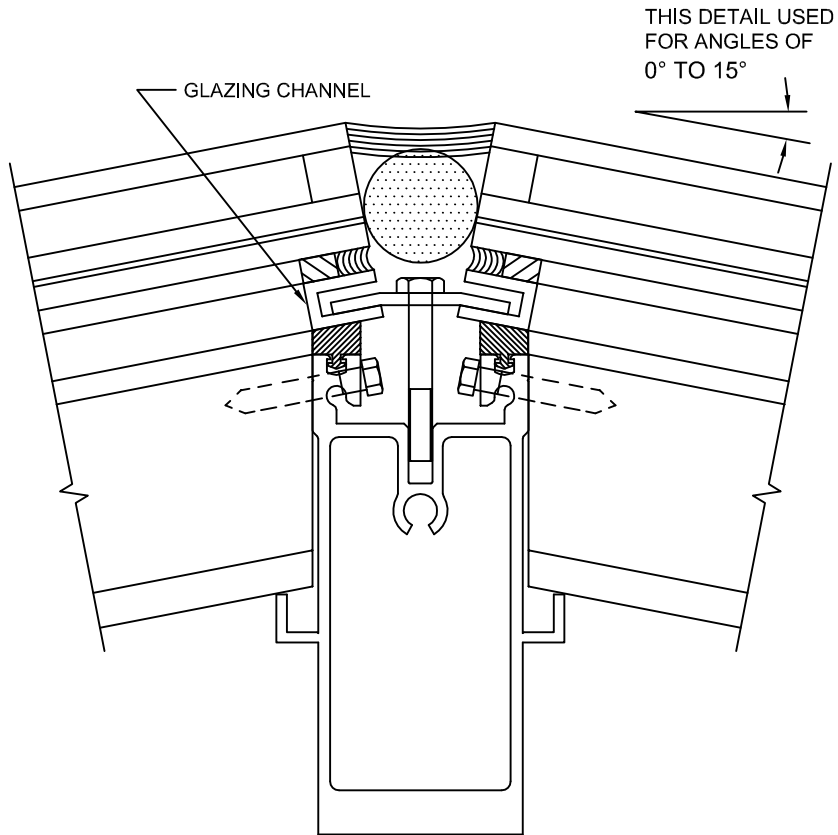
**E-Skylight, Inc.**

P.O. Box 830, Branford, CT 06405  
 866-624-3759 / (fax) 207-636-8004  
[www.e-skylight.com](http://www.e-skylight.com)

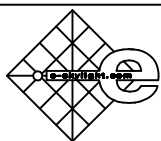
**SILL (SEGMENTED UNIT)  
 STRUCTURALLY GLAZED (4-SIDED)**

SYSTEM 2000™

**SD11**



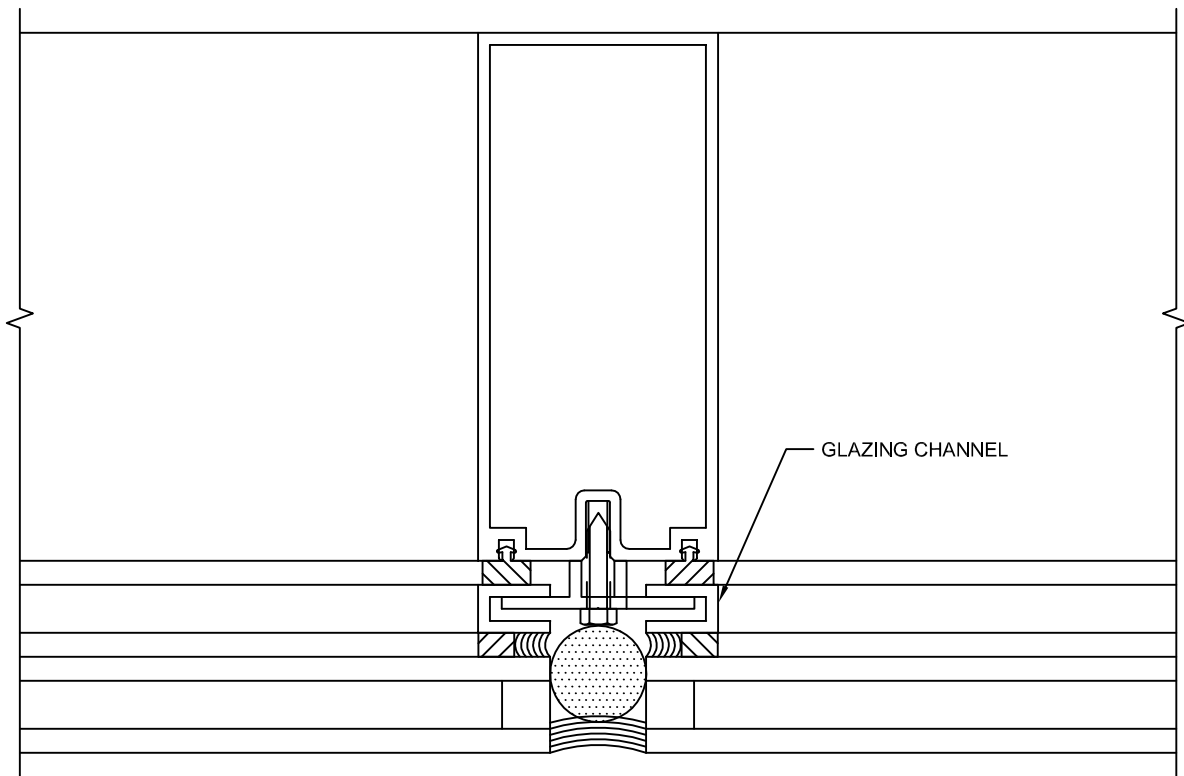
SCALE = 1/2"



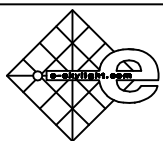
**E-Skylight, Inc.**  
 P.O. Box 830, Branford, CT 06405  
 866-624-3759 / (fax) 207-636-8004  
 www.e-skylight.com

**HIP RAFTER  
 STRUCTURALLY GLAZED (4-SIDED)  
 SYSTEM 2000™**

**SD12**



SCALE = 1/2"

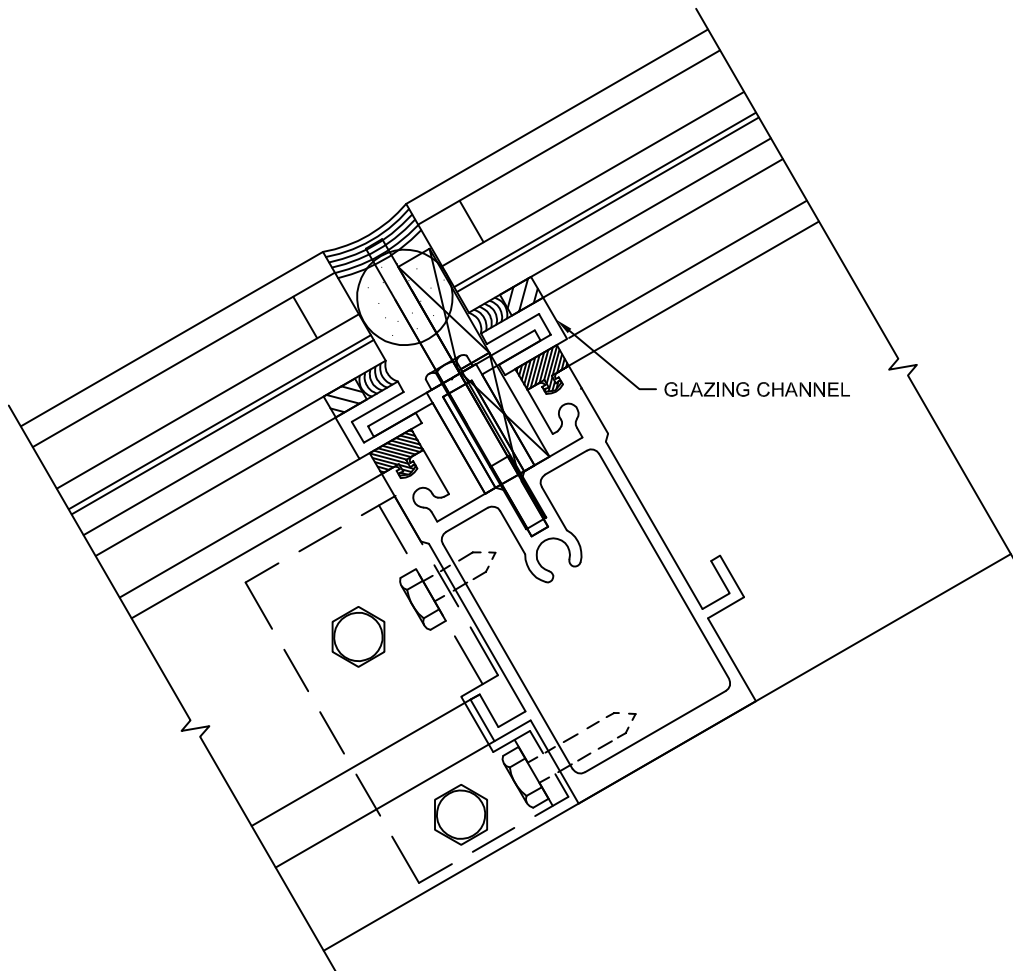


**E-Skylight, Inc.**  
P.O. Box 830, Branford, CT 06405  
866-624-3759 / (fax) 207-636-8004  
[www.e-skylight.com](http://www.e-skylight.com)

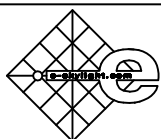
**VERTICAL MULLION  
STRUCTURALLY GLAZED (4-SIDED)  
SYSTEM 2000™**

**SD13**





SCALE = 1/2"



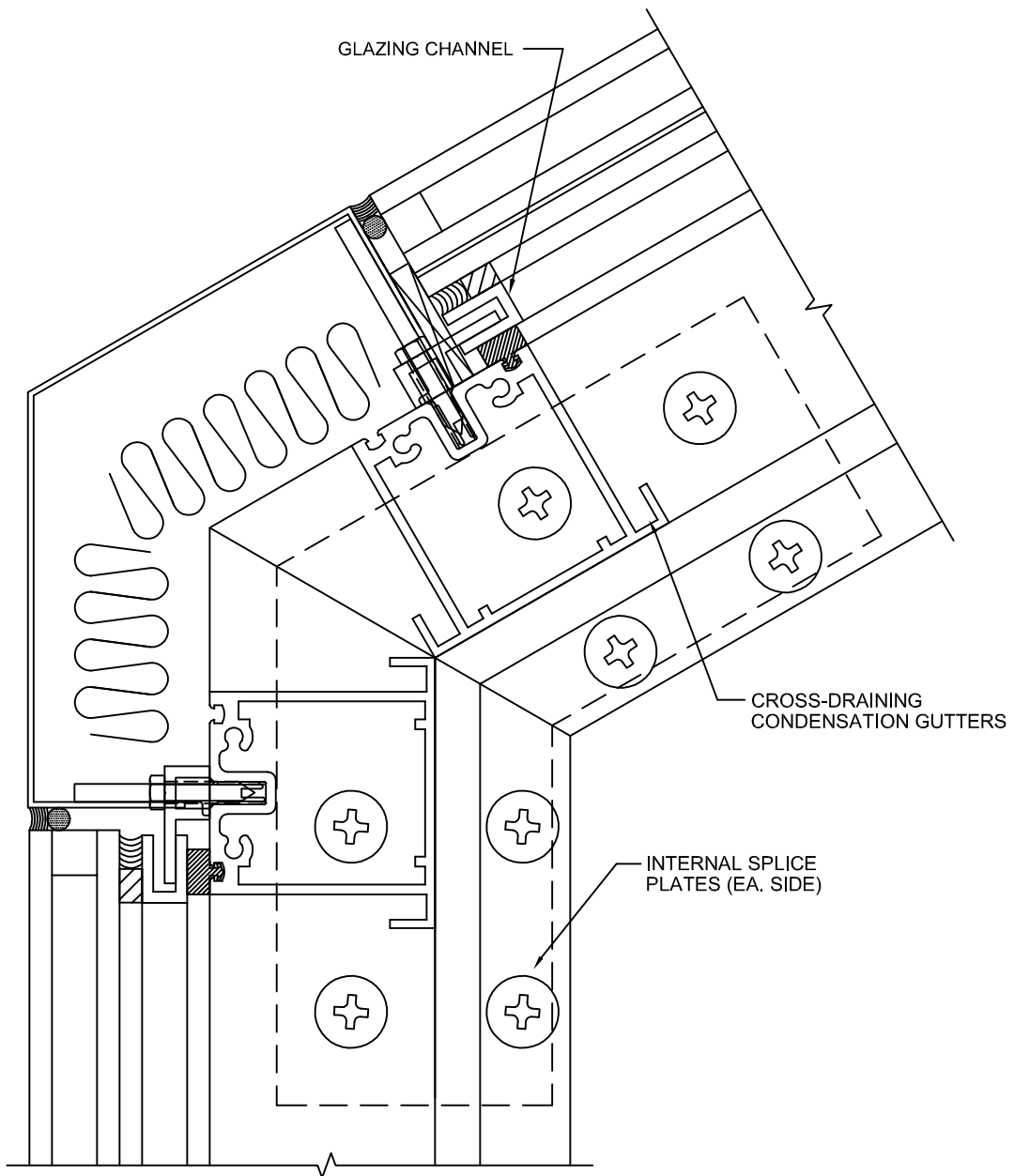
**E-Skylight, Inc.**

P.O. Box 830, Branford, CT 06405  
866-624-3759 / (fax) 207-636-8004  
[www.e-skylight.com](http://www.e-skylight.com)

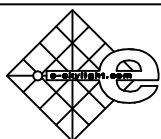
TYPICAL HEADER PURLIN  
STRUCTURALLY GLAZED (4-SIDED)

SYSTEM 2000™

SD14



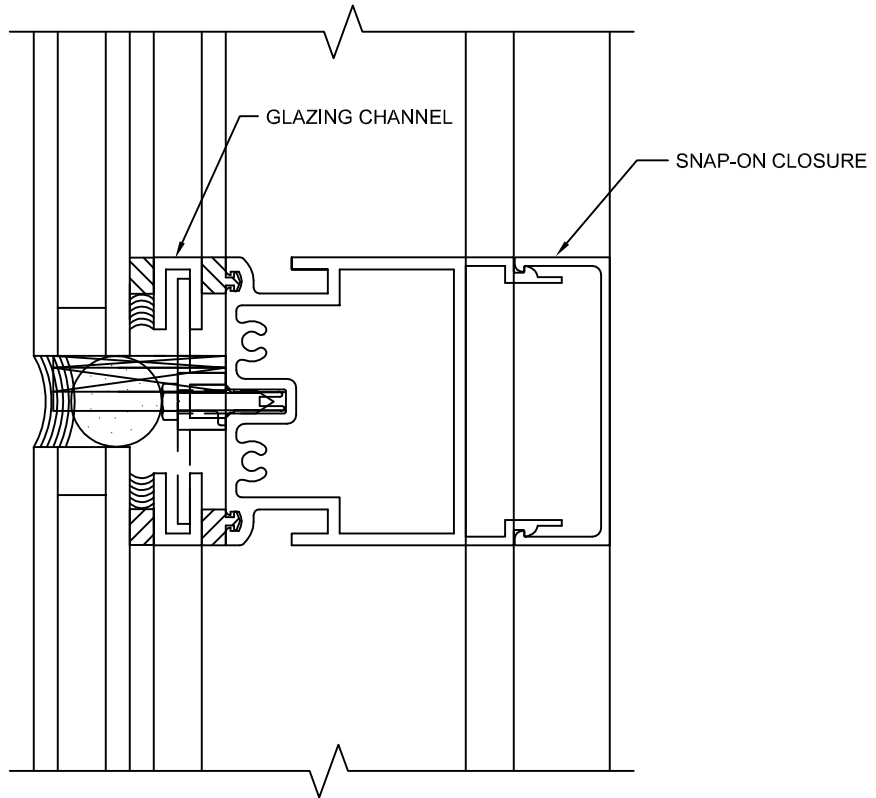
SCALE = 1/2"



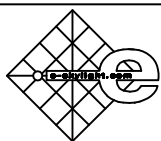
**E-Skylight, Inc.**  
 P.O. Box 830, Branford, CT 06405  
 866-624-3759 / (fax) 207-636-8004  
 www.e-skylight.com

**KNEE  
 STRUCTURAL GLAZED (4-SIDED)  
 SYSTEM 2000™**

**SD15**



SCALE = 1/2"



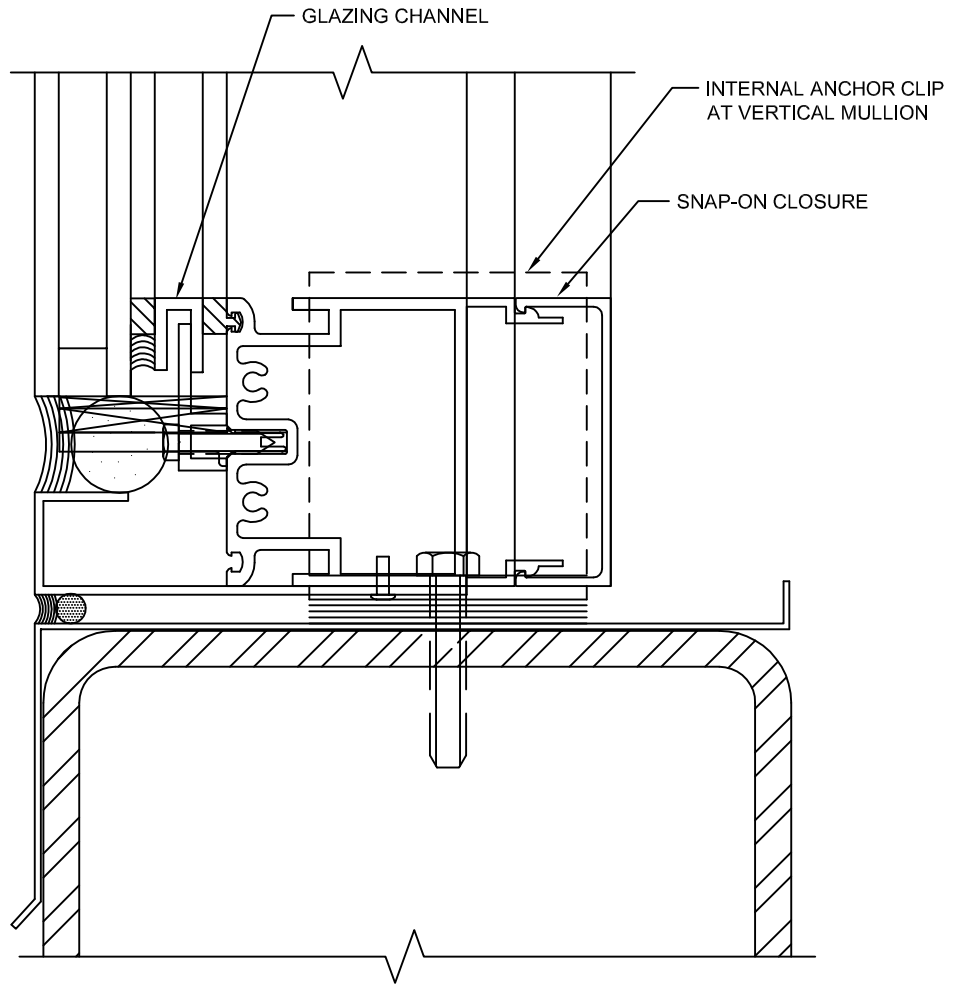
**E-Skylight, Inc.**

P.O. Box 830, Branford, CT 06405  
 866-624-3759 / (fax) 207-636-8004  
 www.e-skylight.com

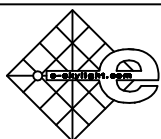
PURLIN AT VERTICAL  
 STRUCTURALLY GLAZED (4-SIDED)

SYSTEM 2000™

**SD16**



SCALE = 1/2"



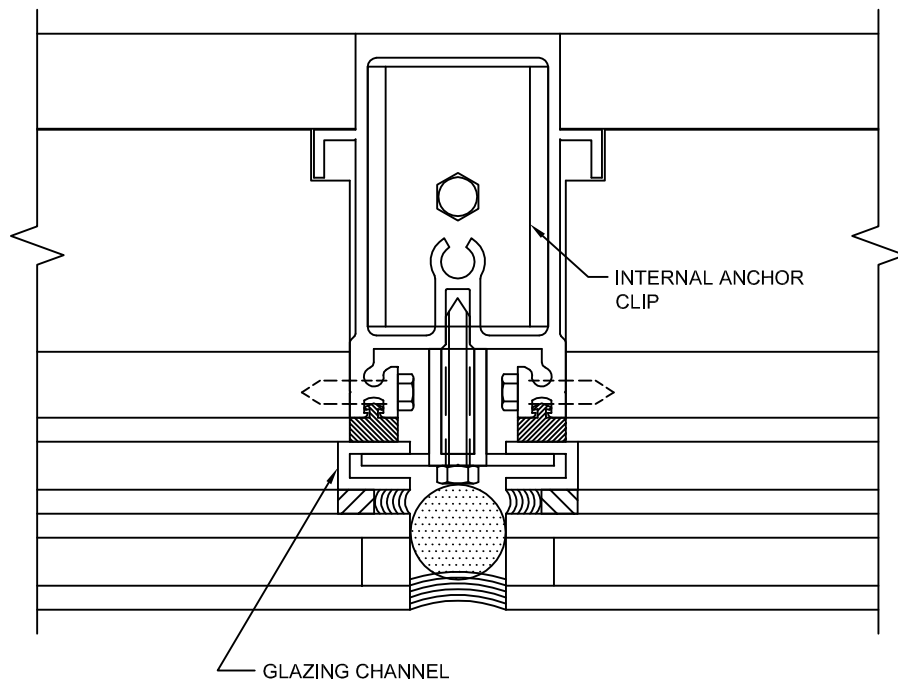
**E-Skylight, Inc.**

P.O. Box 830, Branford, CT 06405  
 866-624-3759 / (fax) 207-636-8004  
[www.e-skylight.com](http://www.e-skylight.com)

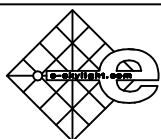
PURLIN AT VERTICAL  
 STRUCTURALLY GLAZED (4-SIDED)

SYSTEM 2000™

SD17



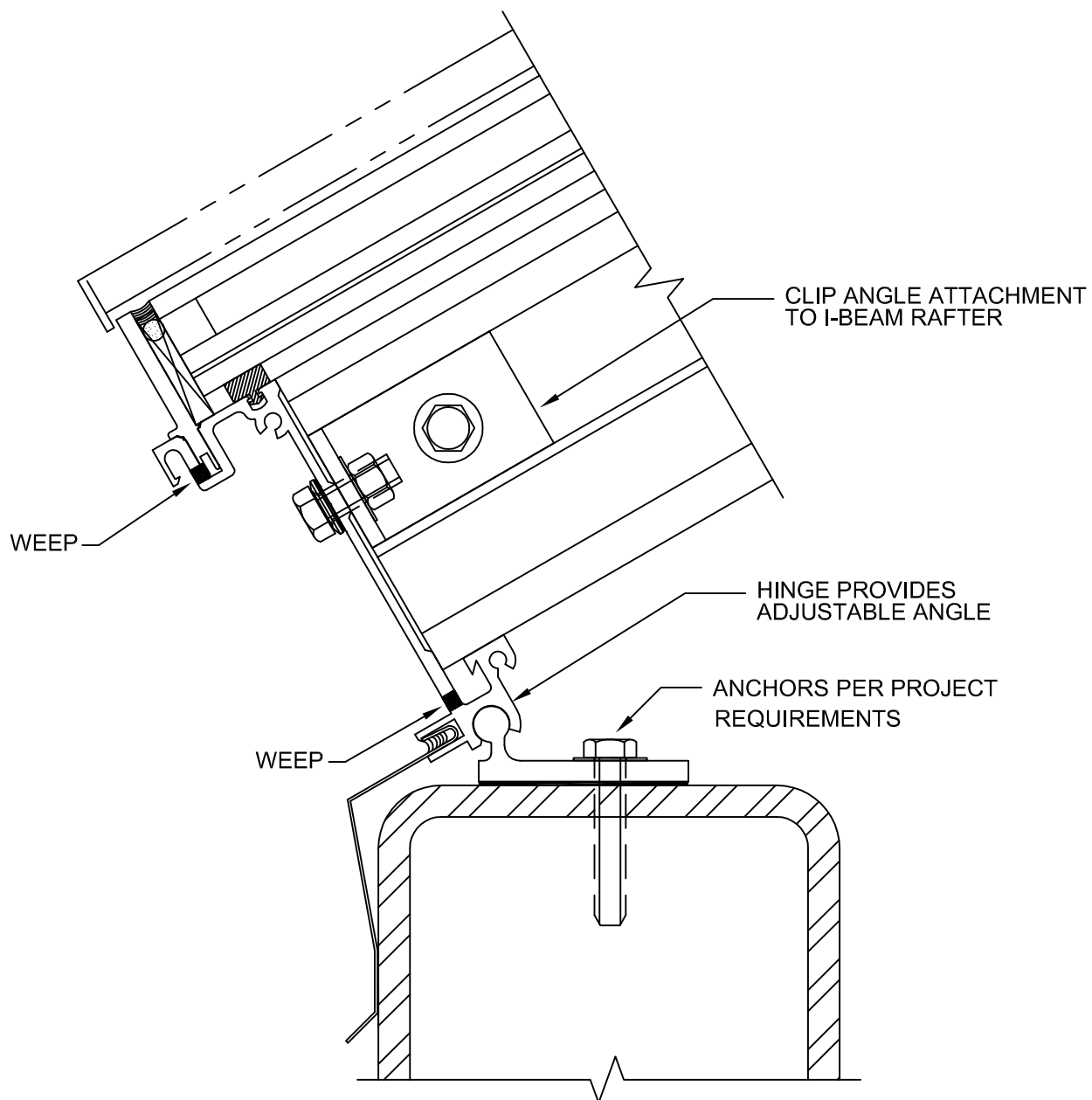
SCALE = 1/2"



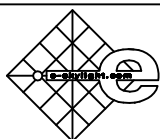
**E-Skylight, Inc.**  
 P.O. Box 830, Branford, CT 06405  
 866-624-3759 / (fax) 207-636-8004  
 www.e-skylight.com

TYPICAL RAFTER  
 STRUCTURALLY GLAZED (4-SIDED)  
 SYSTEM 2000™

SD18



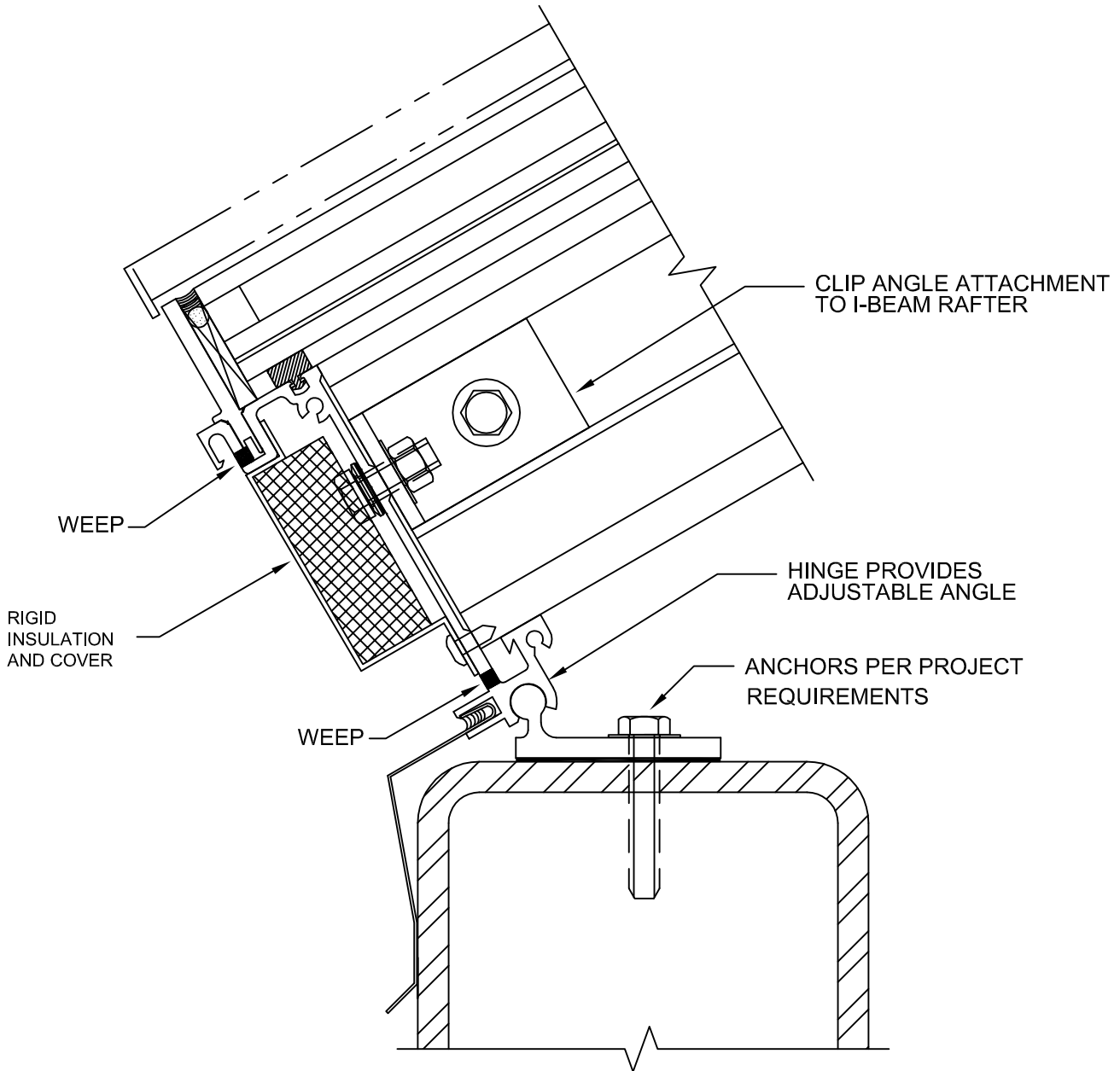
SCALE = 1/2"



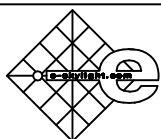
**E-Skylight, Inc.**  
 P.O. Box 830, Branford, CT 06405  
 866-624-3759 / (fax) 207-636-8004  
 www.e-skylight.com

TYPICAL SILL  
 CAPTURED (I-BEAM)  
 SYSTEM 2000™

ID1



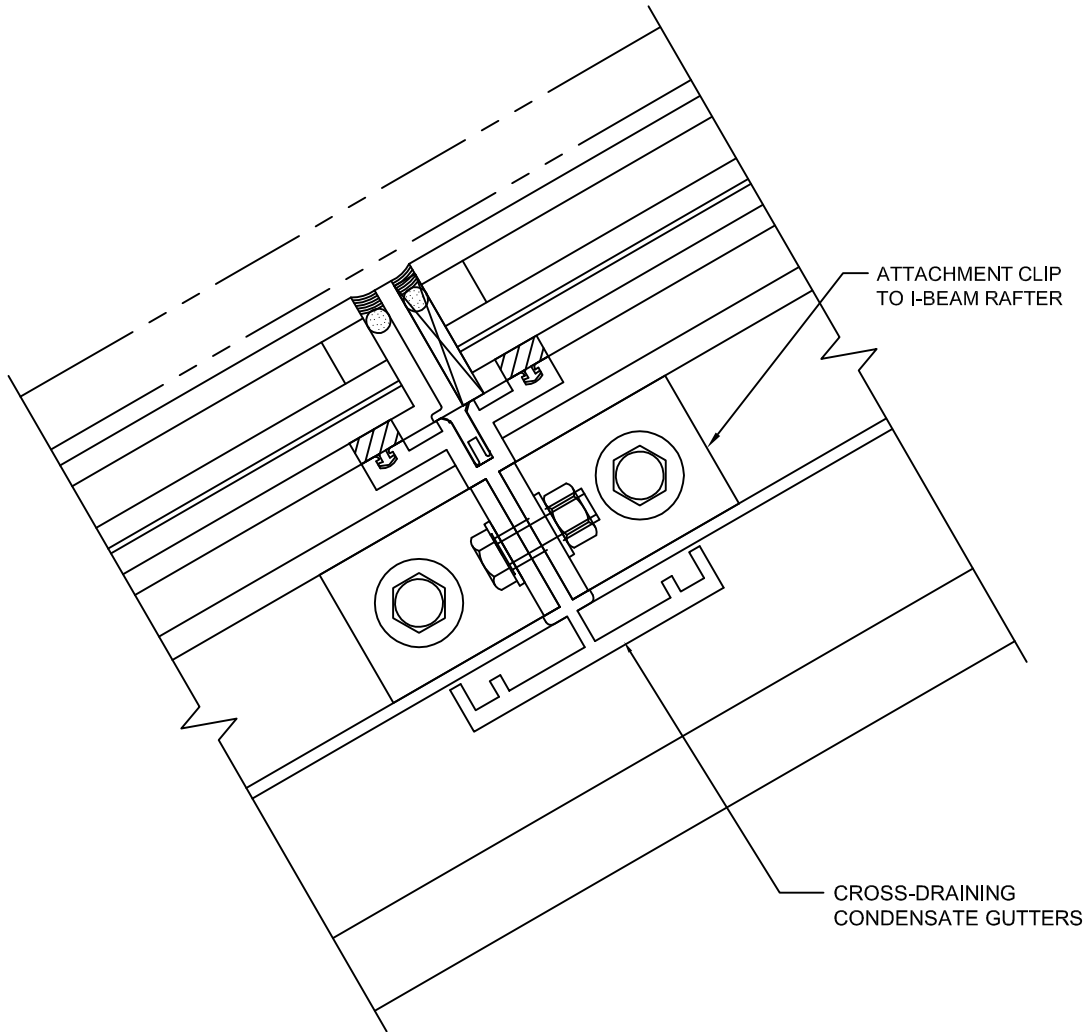
SCALE = 1/2"



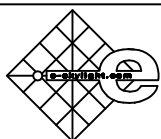
**E-Skylight, Inc.**  
 P.O. Box 830, Branford, CT 06405  
 866-624-3759 / (fax) 207-636-8004  
 www.e-skylight.com

**INSULATED SILL (OPTIONAL)  
 CAPTURED (I-BEAM)**  
 SYSTEM 2000™

**ID1A**



SCALE = 1/2"

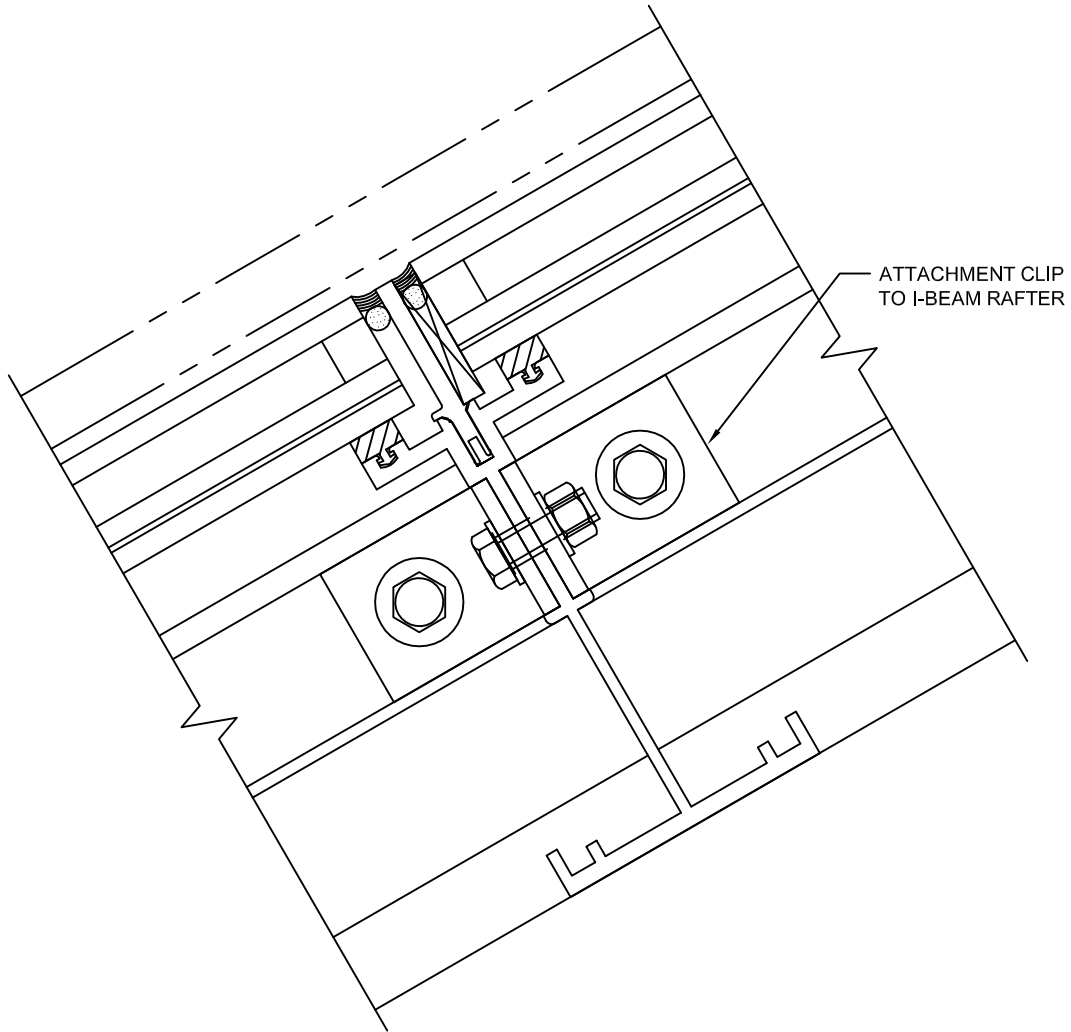


**E-Skylight, Inc.**  
P.O. Box 830, Branford, CT 06405  
866-624-3759 / (fax) 207-636-8004  
[www.e-skylight.com](http://www.e-skylight.com)

TYPICAL PURLIN  
CAPTURED (I-BEAM)  
SYSTEM 2000™

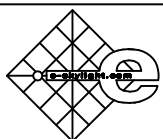
ID2





ATTACHMENT CLIP  
TO I-BEAM RAFTER

SCALE = 1/2"



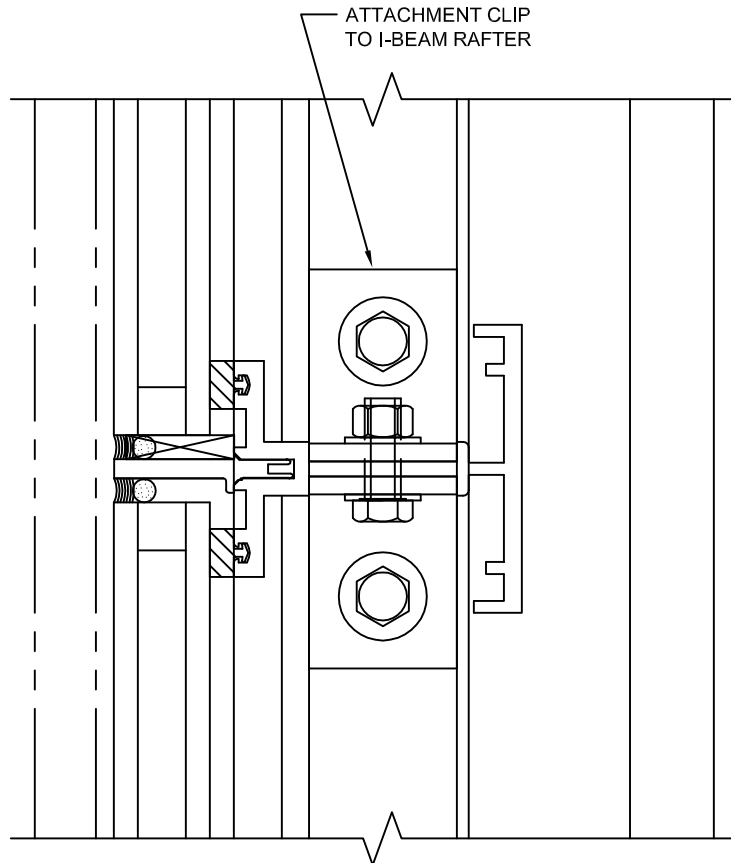
**E-Skylight, Inc.**

P.O. Box 830, Branford, CT 06405  
866-624-3759 / (fax) 207-636-8004  
www.e-skylight.com

TYPICAL PURLIN (WIDE SPAN)  
CAPTURED (I-BEAM)

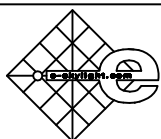
SYSTEM 2000™

ID2A



ATTACHMENT CLIP  
TO I-BEAM RAFTER

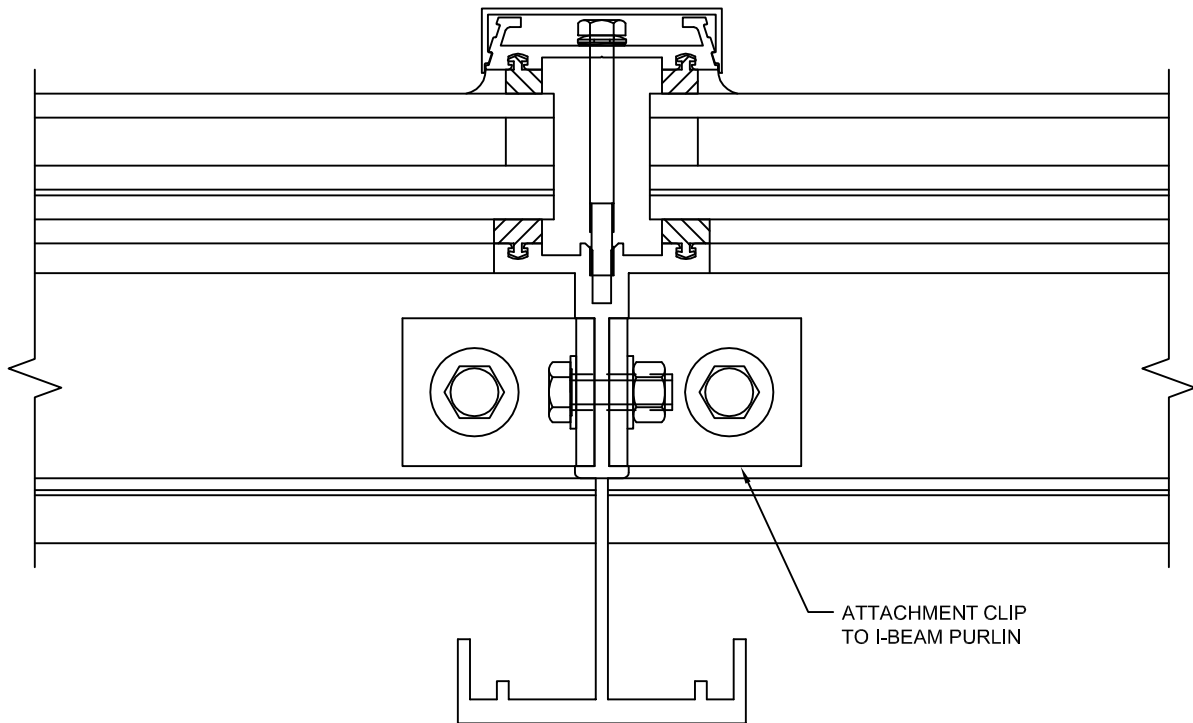
SCALE = 1/2"



**E-Skylight, Inc.**  
P.O. Box 830, Branford, CT 06405  
866-624-3759 / (fax) 207-636-8004  
www.e-s skylight.com

TYPICAL VERTICAL PURLIN  
CAPTURED (I-BEAM)  
SYSTEM 2000™

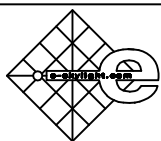
ID2B



ATTACHMENT CLIP  
TO I-BEAM PURLIN

OTHER RAFTER SIZES AVAILABLE  
(SEE SHEET IE1)

SCALE = 1/2"



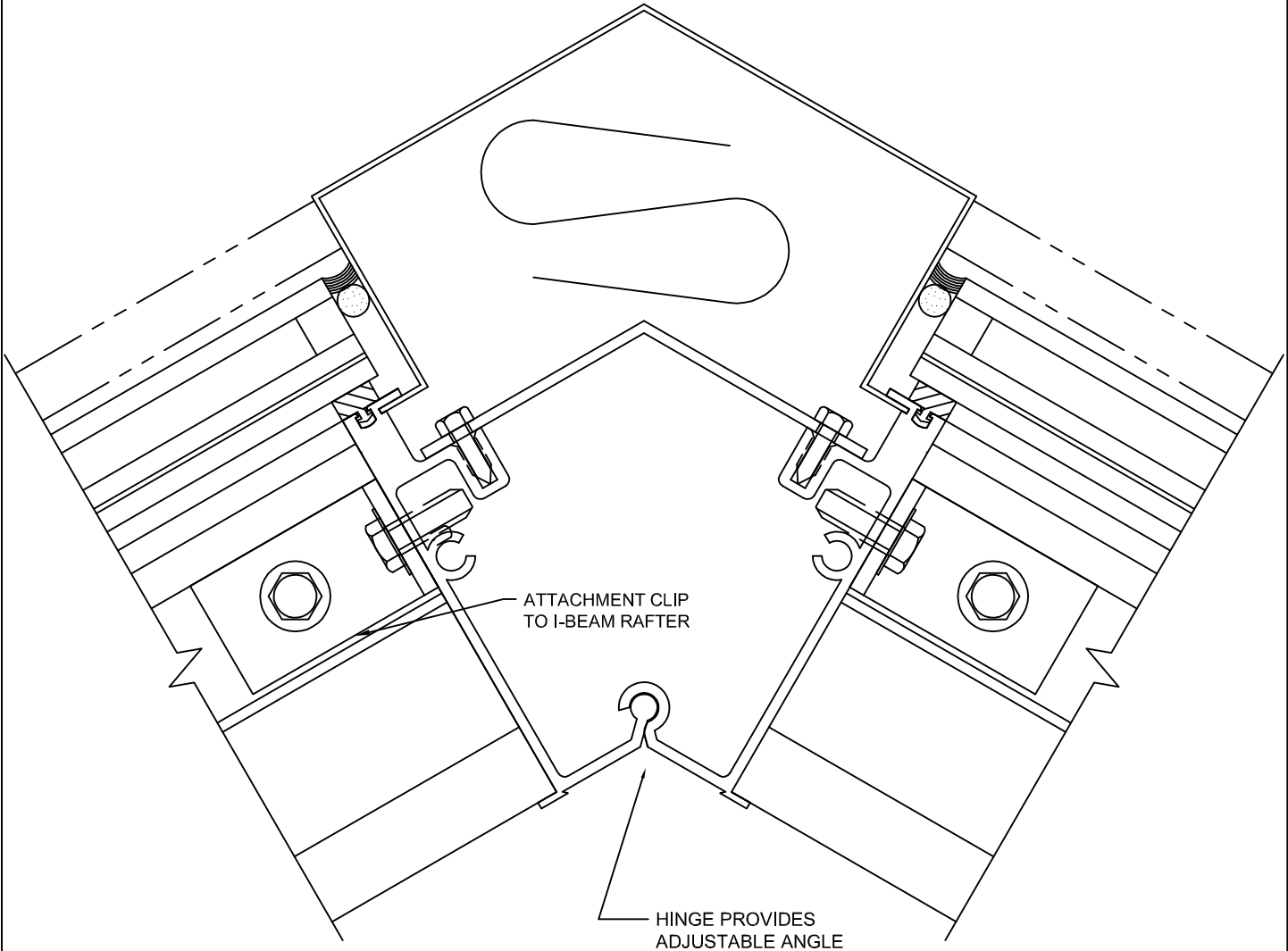
**E-Skylight, Inc.**

P.O. Box 830, Branford, CT 06405  
866-624-3759 / (fax) 207-636-8004  
www.e-skylight.com

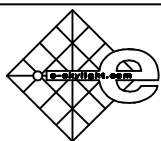
TYPICAL RAFTER  
CAPTURED (I-BEAM)

SYSTEM 2000™

ID3



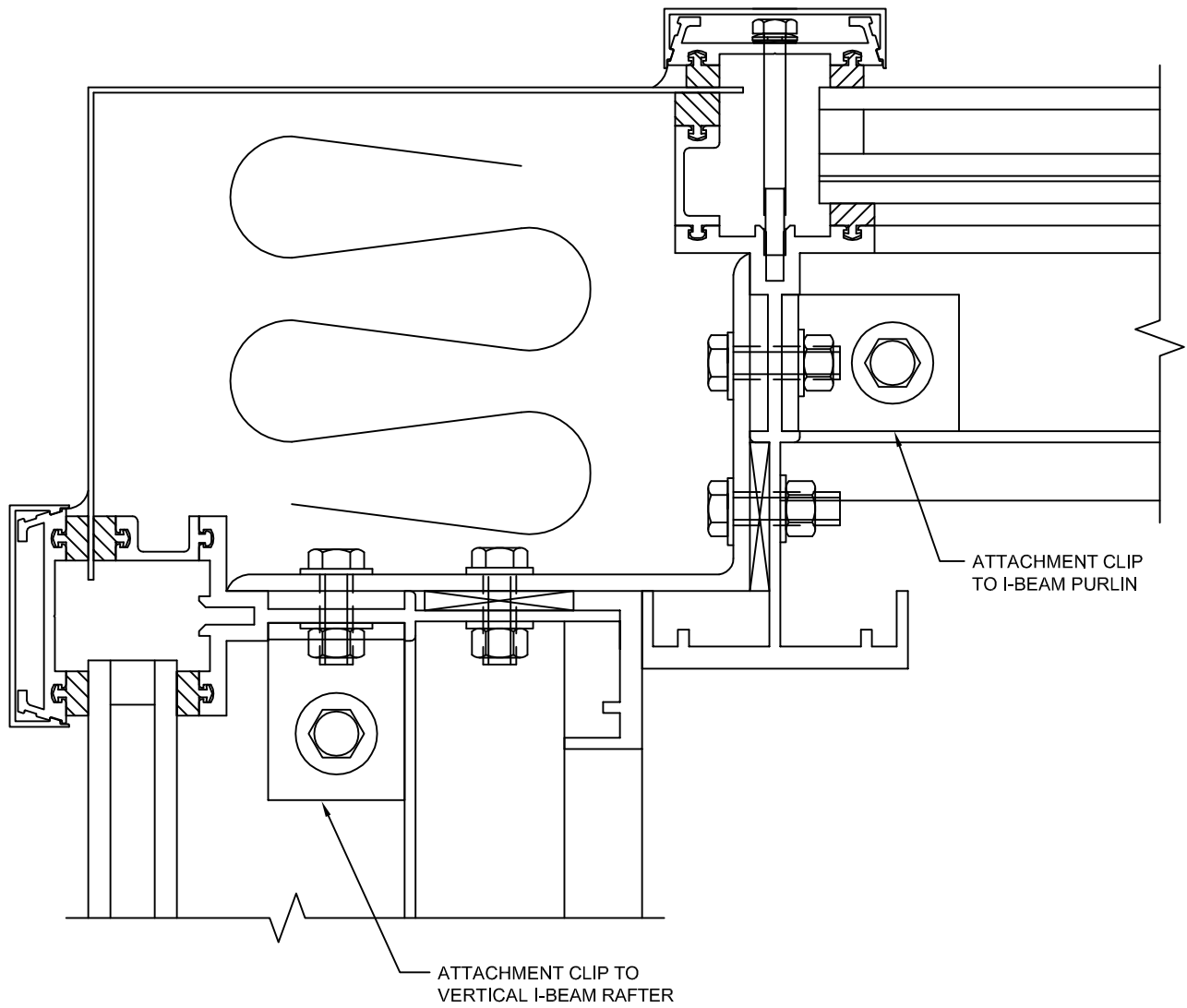
SCALE = 1/2"



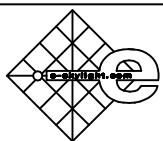
**E-Skylight, Inc.**  
 P.O. Box 830, Branford, CT 06405  
 866-624-3759 / (fax) 207-636-8004  
 www.e-skylight.com

**HIP RAFTER OR RIDGE  
 CAPTURED (I-BEAM)**  
 SYSTEM 2000™

**ID4**



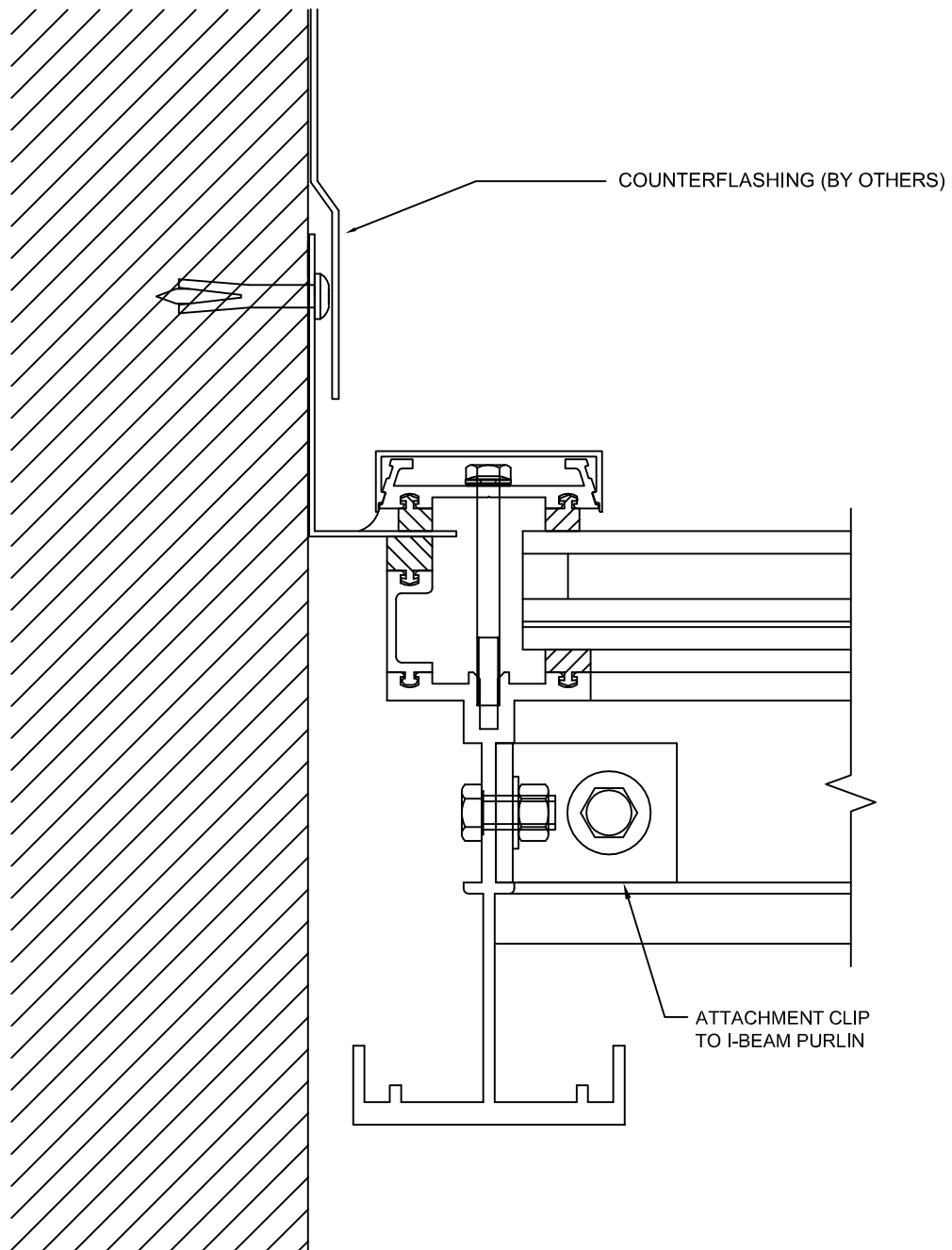
SCALE = 1/2"



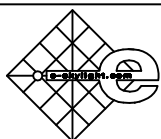
**E-Skylight, Inc.**  
 P.O. Box 830, Branford, CT 06405  
 866-624-3759 / (fax) 207-636-8004  
 www.e-skylight.com

**END RAFTER  
 CAPTURED (I-BEAM)  
 SYSTEM 2000™**

**ID5**



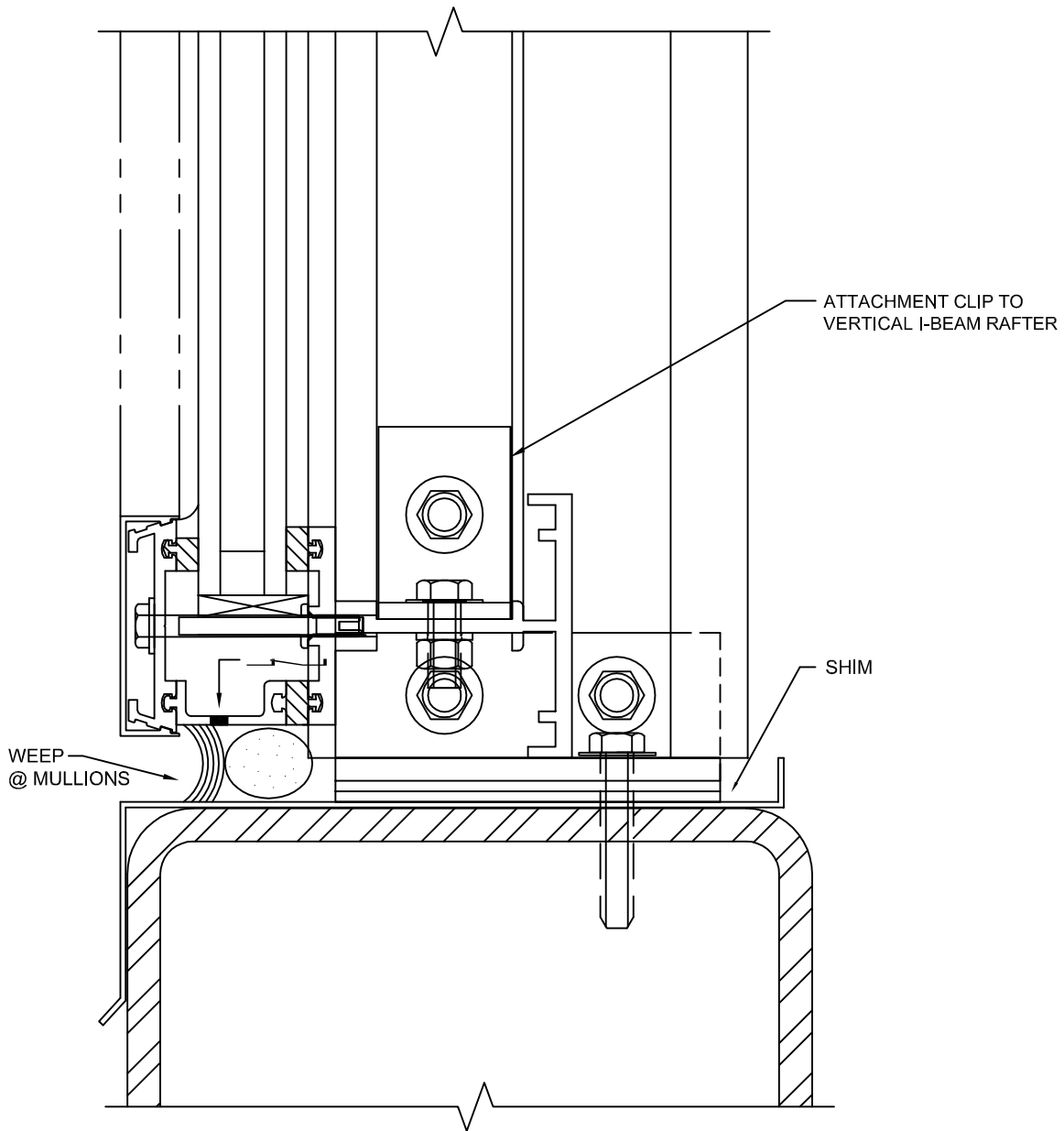
SCALE = 1/2"



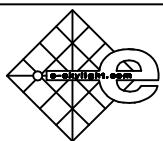
**E-Skylight, Inc.**  
 P.O. Box 830, Branford, CT 06405  
 866-624-3759 / (fax) 207-636-8004  
 www.e-skylight.com

**JAMB RAFTER  
 CAPTURED (I-BEAM)**  
 SYSTEM 2000™

**ID6**



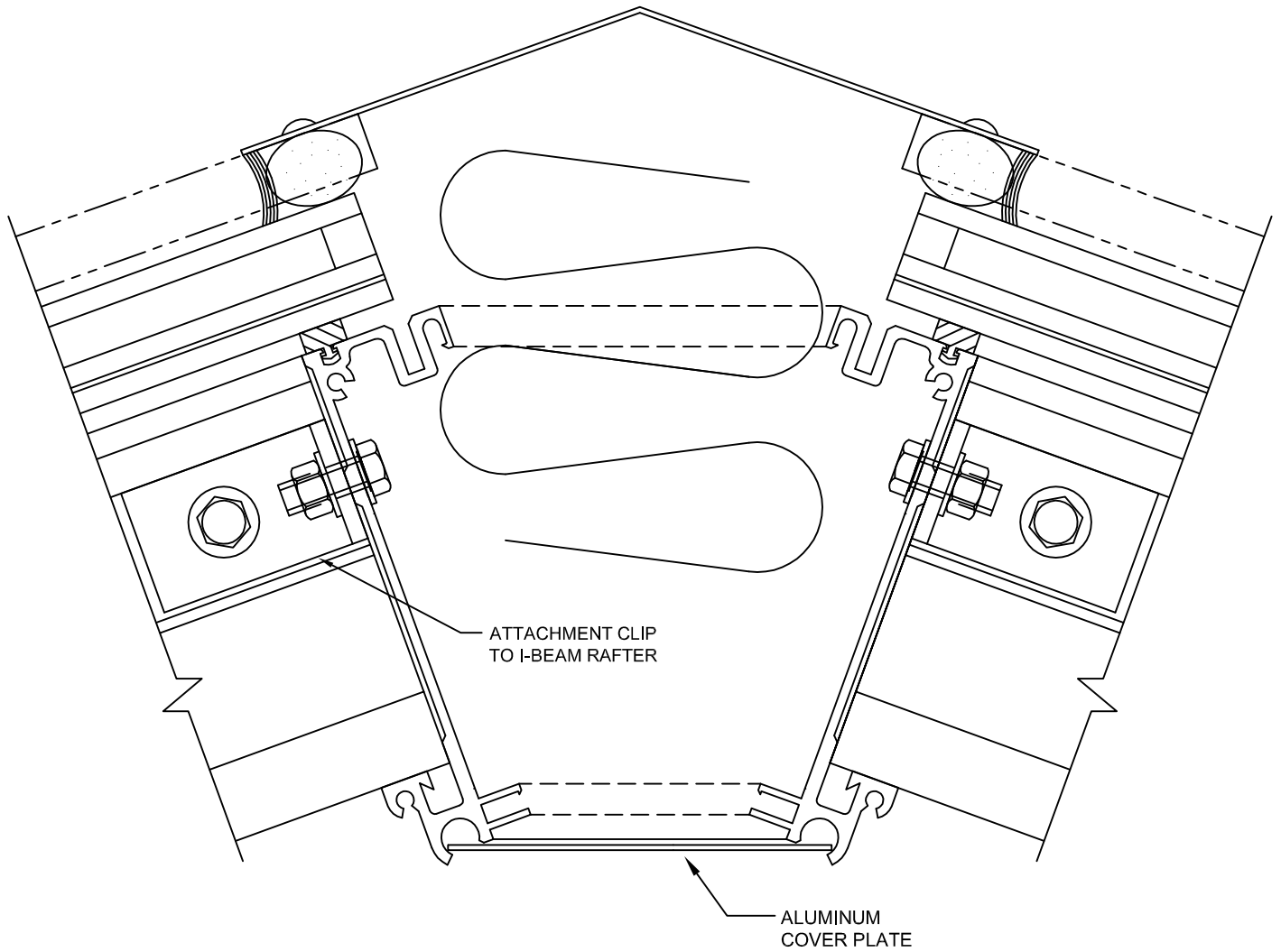
SCALE = 1/2"



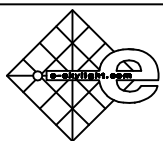
**E-Skylight, Inc.**  
P.O. Box 830, Branford, CT 06405  
866-624-3759 / (fax) 207-636-8004  
www.e-skylight.com

VERTICAL SILL  
CAPTURED (I-BEAM)  
SYSTEM 2000™

ID7



SCALE = 1/2"

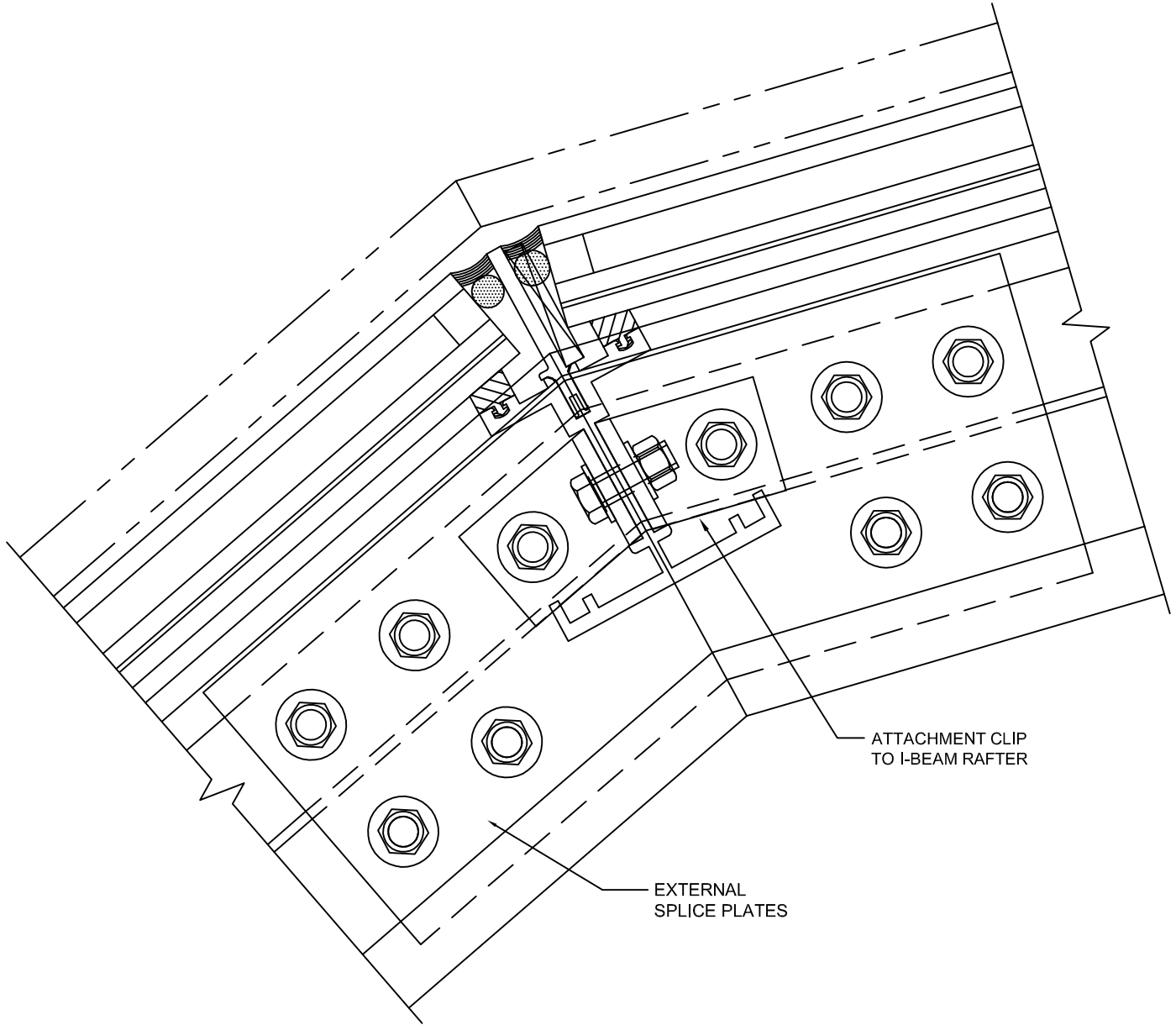


**E-Skylight, Inc.**  
P.O. Box 830, Branford, CT 06405  
866-624-3759 / (fax) 207-636-8004  
[www.e-skylight.com](http://www.e-skylight.com)

**COMPRESSION RING  
CAPTURED (I-BEAM)**  
SYSTEM 2000™

**ID8**

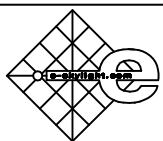




ATTACHMENT CLIP  
TO I-BEAM RAFTER

EXTERNAL  
SPLICE PLATES

SCALE = 1/2"



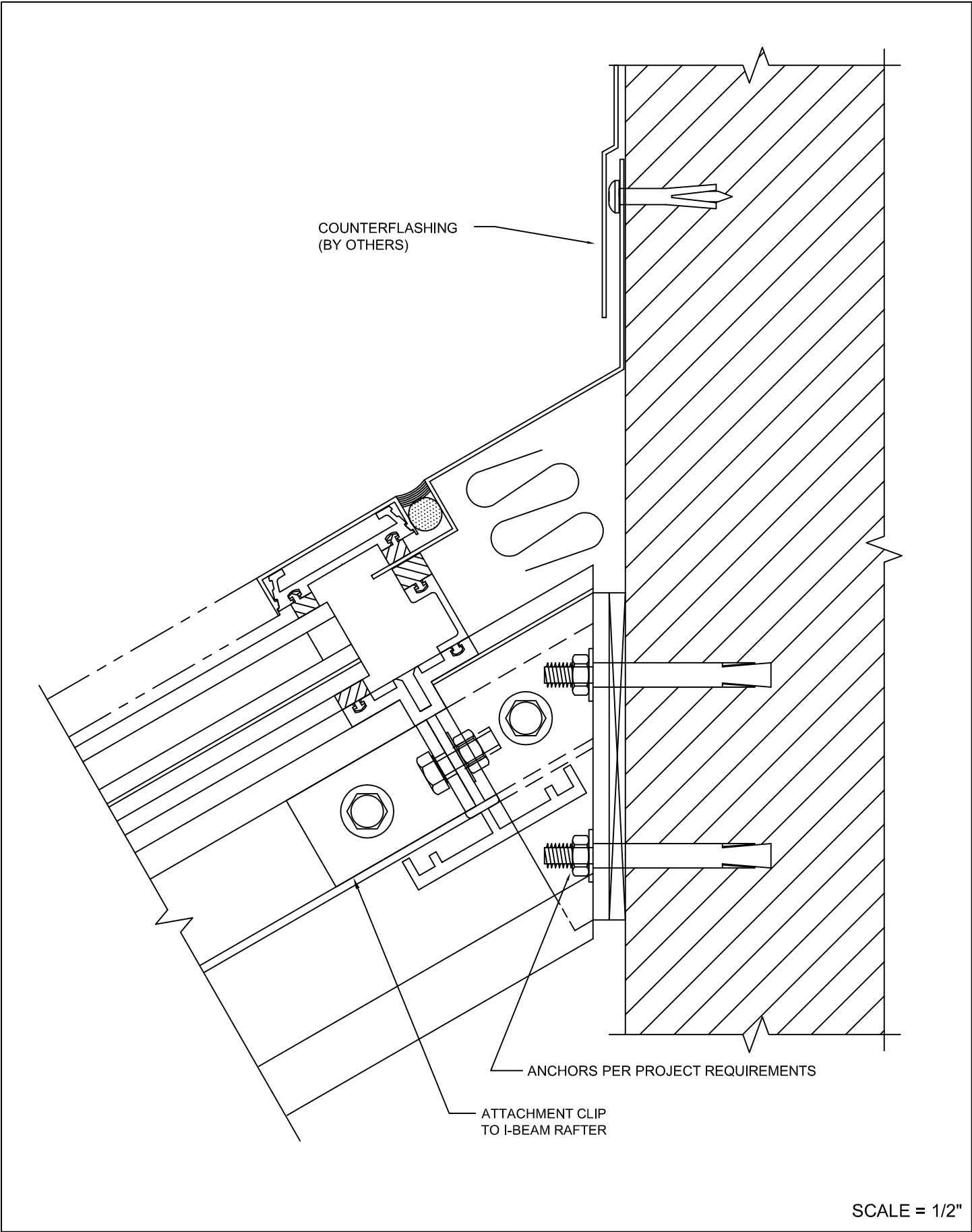
**E-Skylight, Inc.**

P.O. Box 830, Branford, CT 06405  
866-624-3759 / (fax) 207-636-8004  
www.e-skylight.com

**SEGMENTED PURLIN  
CAPTURED (I-BEAM)**

SYSTEM 2000™

**ID9**

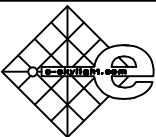


COUNTERFLASHING  
(BY OTHERS)

ANCHORS PER PROJECT REQUIREMENTS

ATTACHMENT CLIP  
TO I-BEAM RAFTER

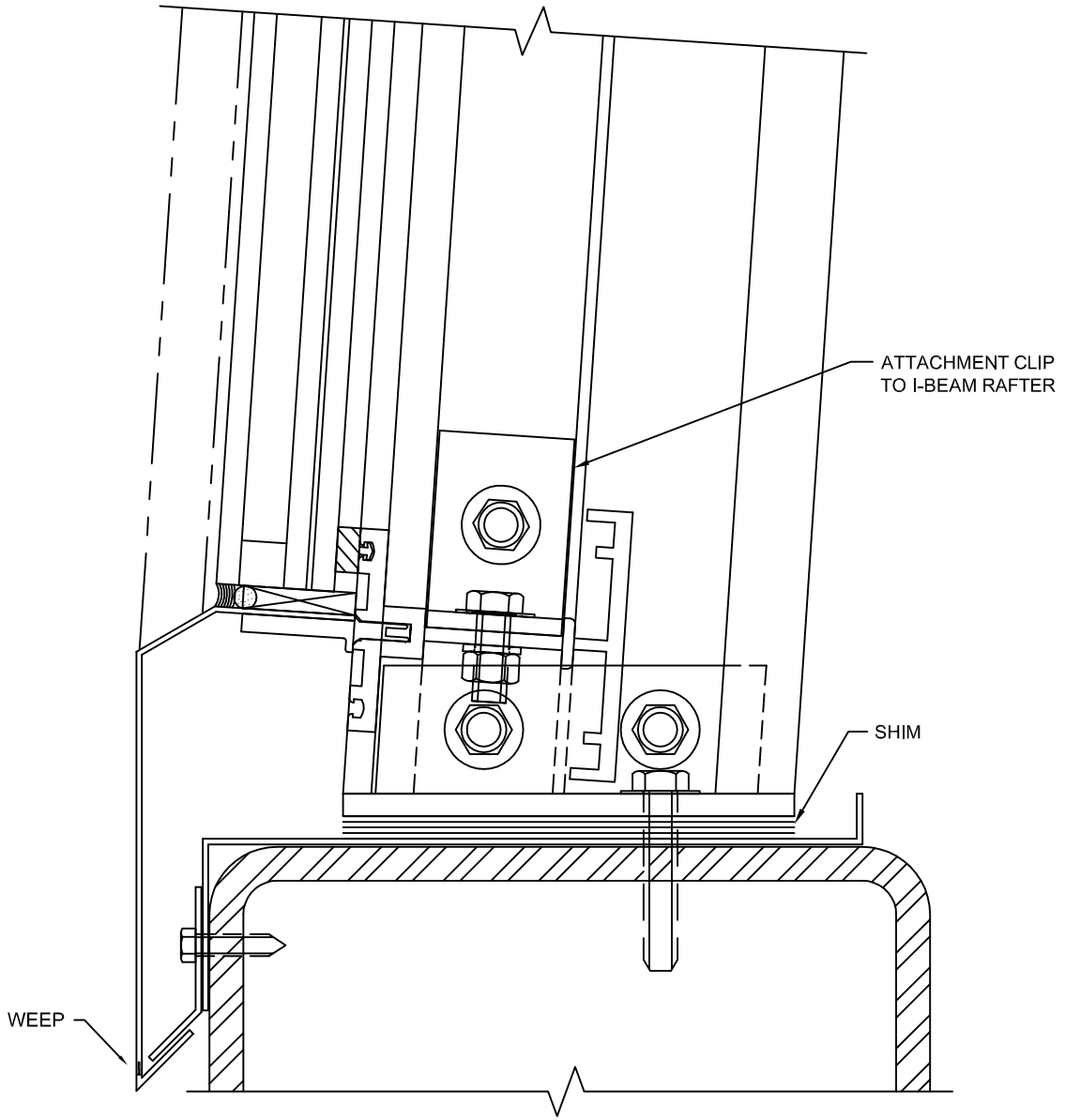
SCALE = 1/2"



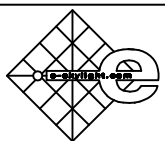
**E-Skylight, Inc.**  
 P.O. Box 830, Branford, CT 06405  
 866-624-3759 / (fax) 207-636-8004  
 www.e-skylight.com

**TYPICAL HEAD DETAIL  
 CAPTURED (I-BEAM)**  
 SYSTEM 2000™

**ID10**



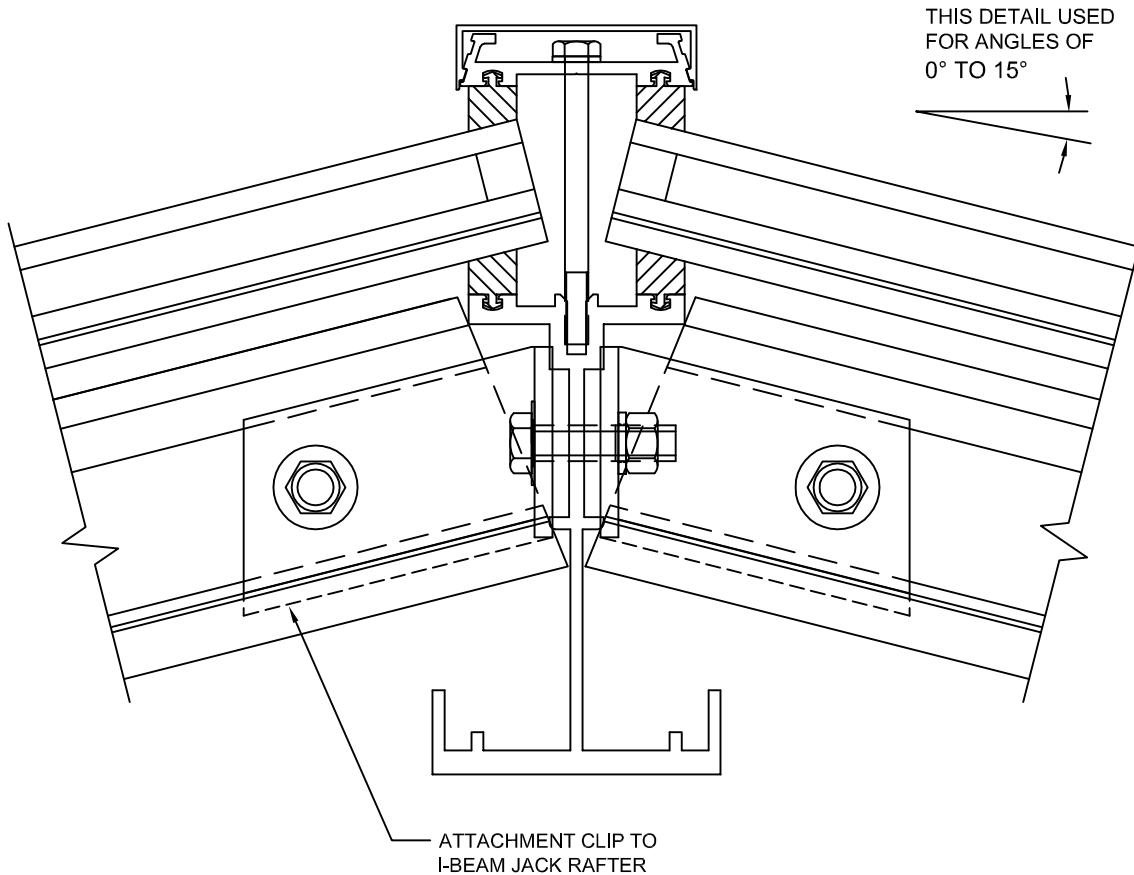
SCALE = 1/2"



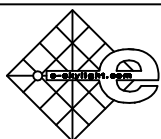
**E-Skylight, Inc.**  
 P.O. Box 830, Branford, CT 06405  
 866-624-3759 / (fax) 207-636-8004  
 www.e-skylight.com

**SILL (SEGMENTED UNIT)  
 CAPTURED (I-BEAM)**  
 SYSTEM 2000™

**ID11**



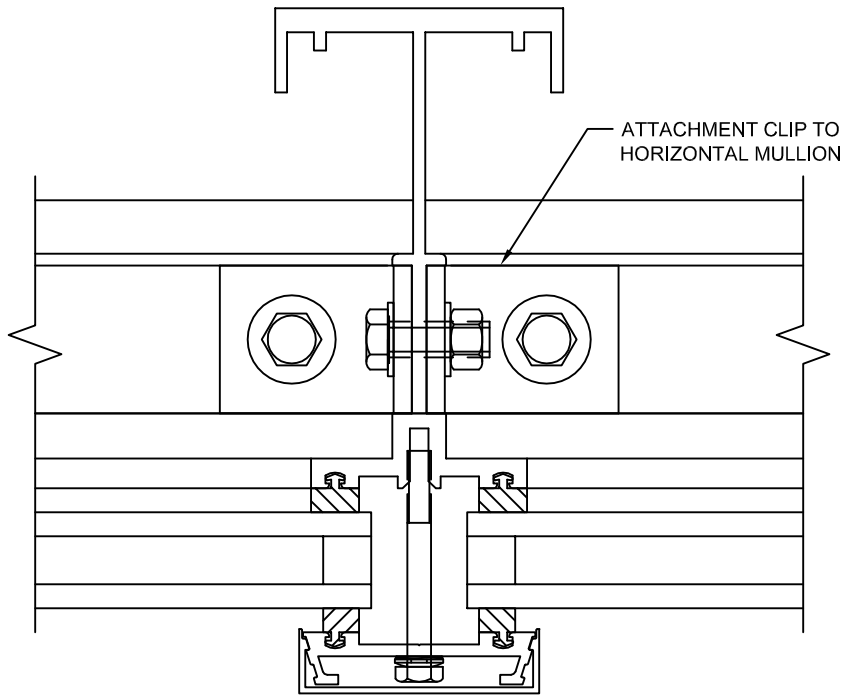
SCALE = 1/2"



**E-Skylight, Inc.**  
 P.O. Box 830, Branford, CT 06405  
 866-624-3759 / (fax) 207-636-8004  
 www.e-skylight.com

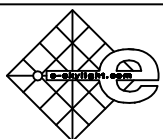
**HIP RAFTER  
 CAPTURED (I-BEAM)**  
 SYSTEM 2000™

**ID12**



ATTACHMENT CLIP TO  
HORIZONTAL MULLION

SCALE = 1/2"



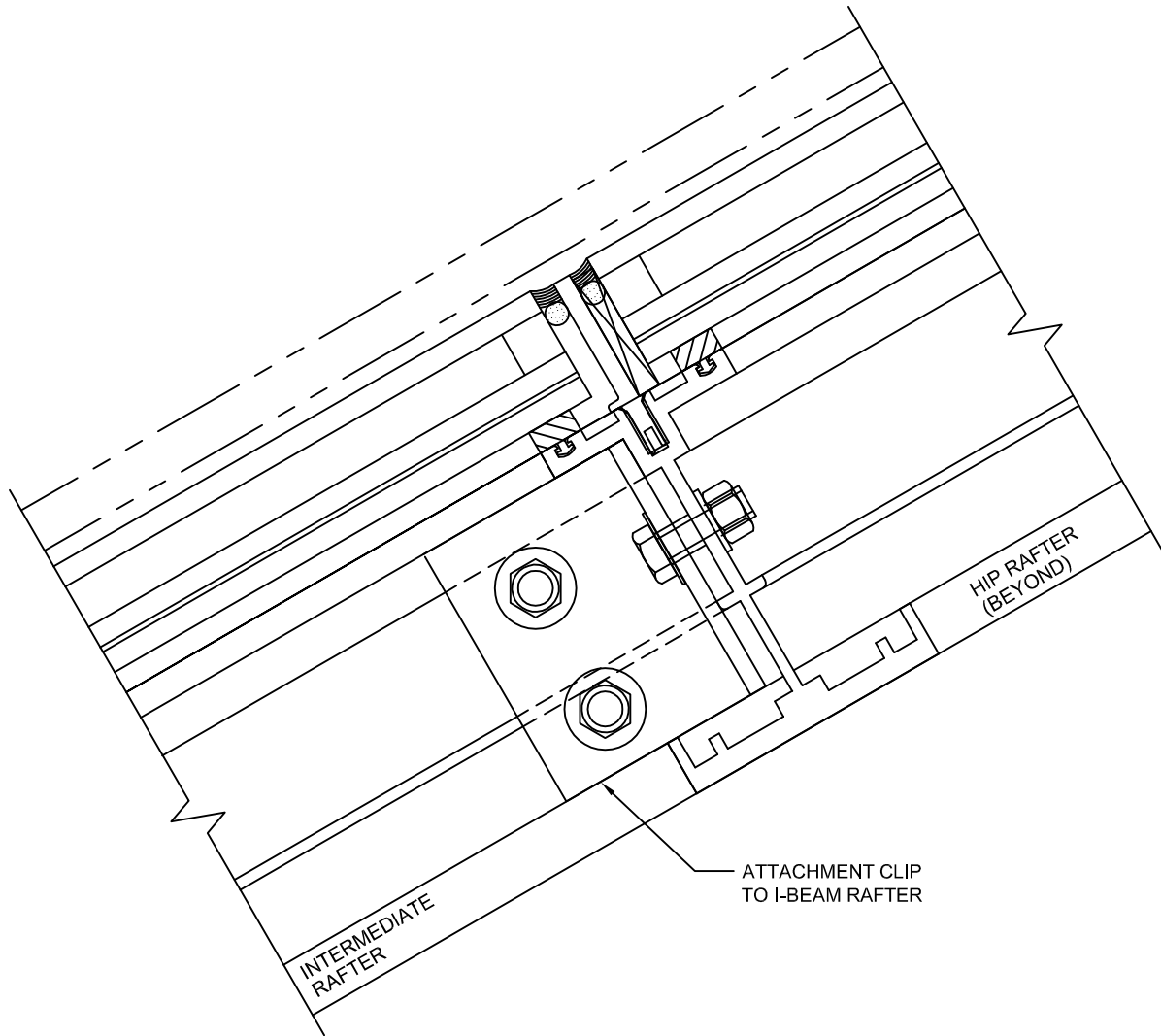
**E-Skylight, Inc.**

P.O. Box 830, Branford, CT 06405  
866-624-3759 / (fax) 207-636-8004  
www.e-s skylight.com

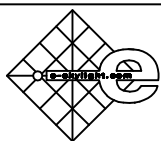
TYPICAL VERTICAL RAFTER  
CAPTURED (I-BEAM)

SYSTEM 2000™

ID13



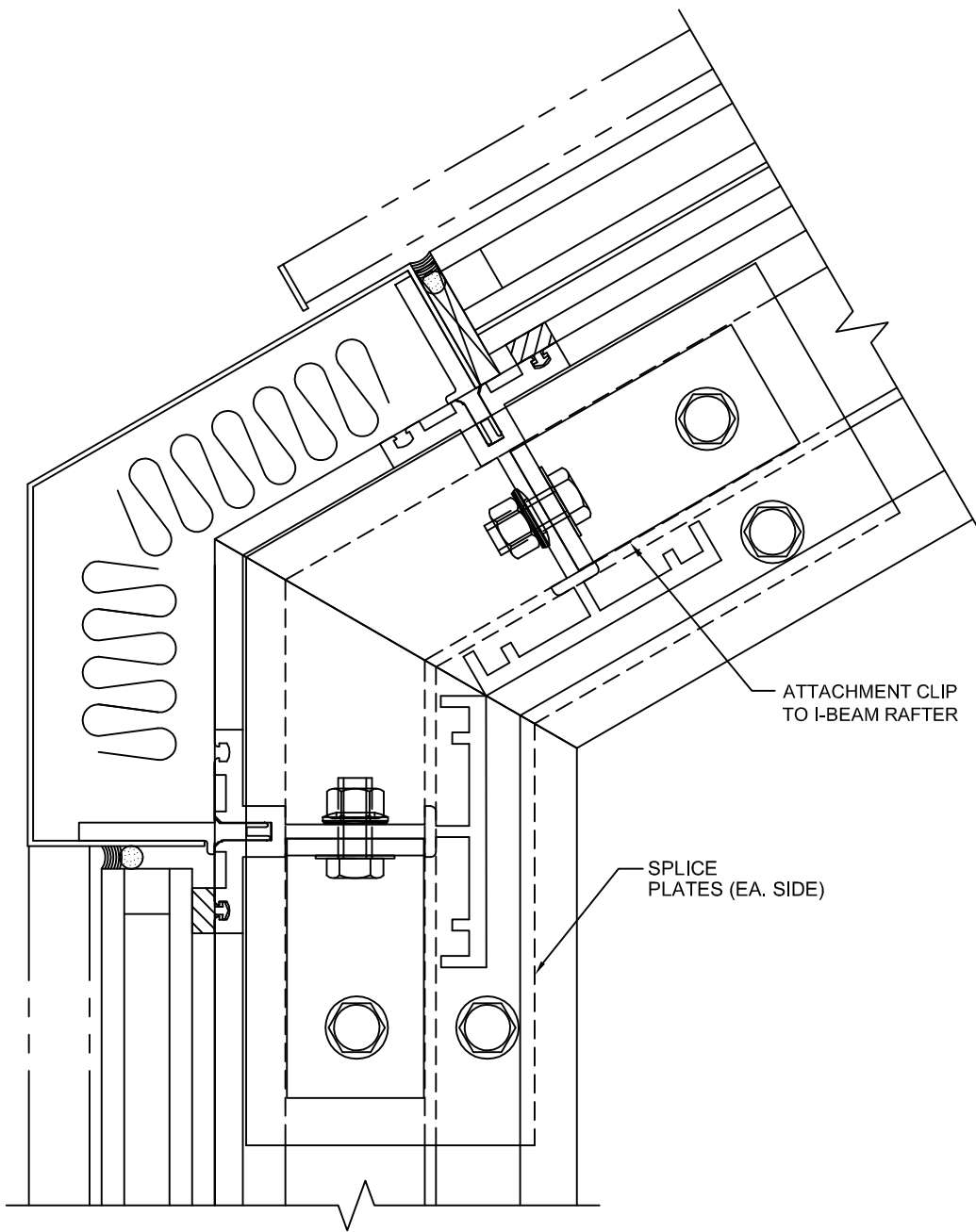
SCALE = 1/2"



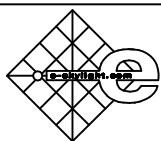
**E-Skylight, Inc.**  
 P.O. Box 830, Branford, CT 06405  
 866-624-3759 / (fax) 207-636-8004  
 www.e-skylight.com

HEADER PURLIN  
 CAPTURED (I-BEAM)  
 SYSTEM 2000™

ID14



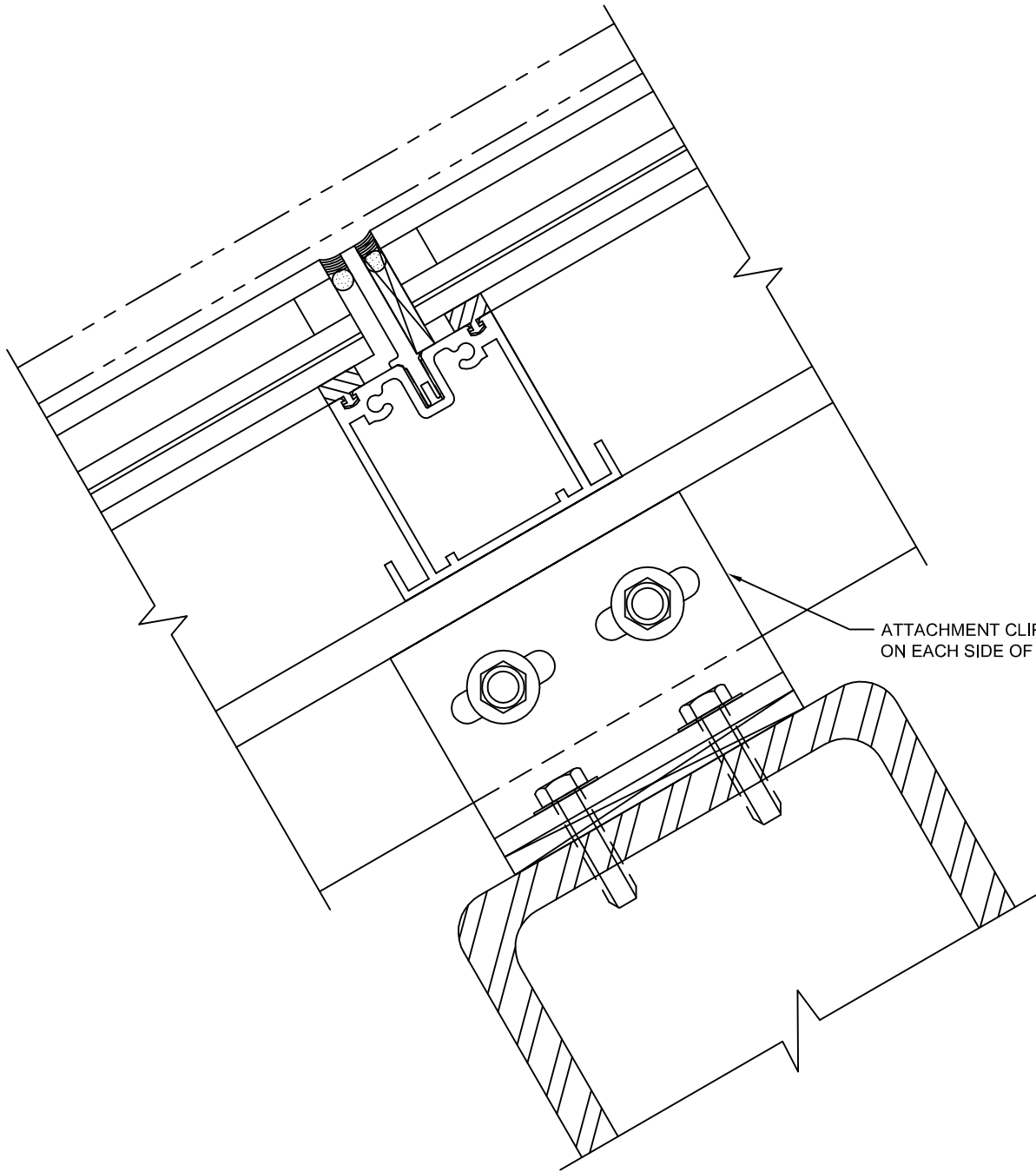
SCALE = 1/2"



**E-Skylight, Inc.**  
 P.O. Box 830, Branford, CT 06405  
 866-624-3759 / (fax) 207-636-8004  
 www.e-skylight.com

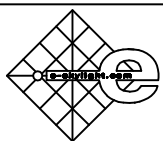
**KNEE  
 CAPTURED (I-BEAM)  
 SYSTEM 2000™**

**ID15**



ATTACHMENT CLIP ANGLE  
ON EACH SIDE OF RAFTER

SCALE = 1/2"



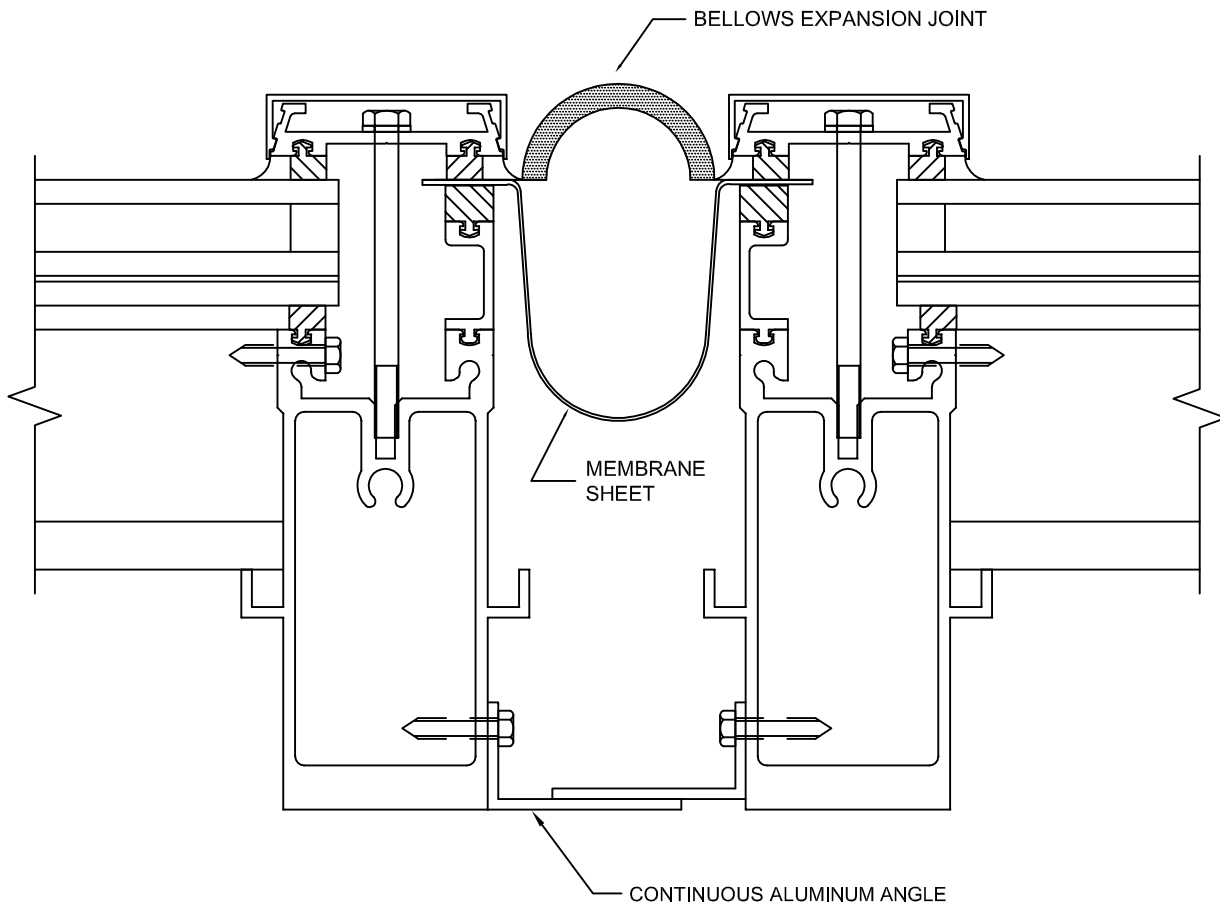
**E-Skylight, Inc.**

P.O. Box 830, Branford, CT 06405  
866-624-3759 / (fax) 207-636-8004  
www.e-skylight.com

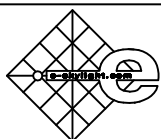
ATTACHMENT TO STEEL (SECTION  
THROUGH PURLIN)  
CAPTURED  
SYSTEM 2000™

MD1





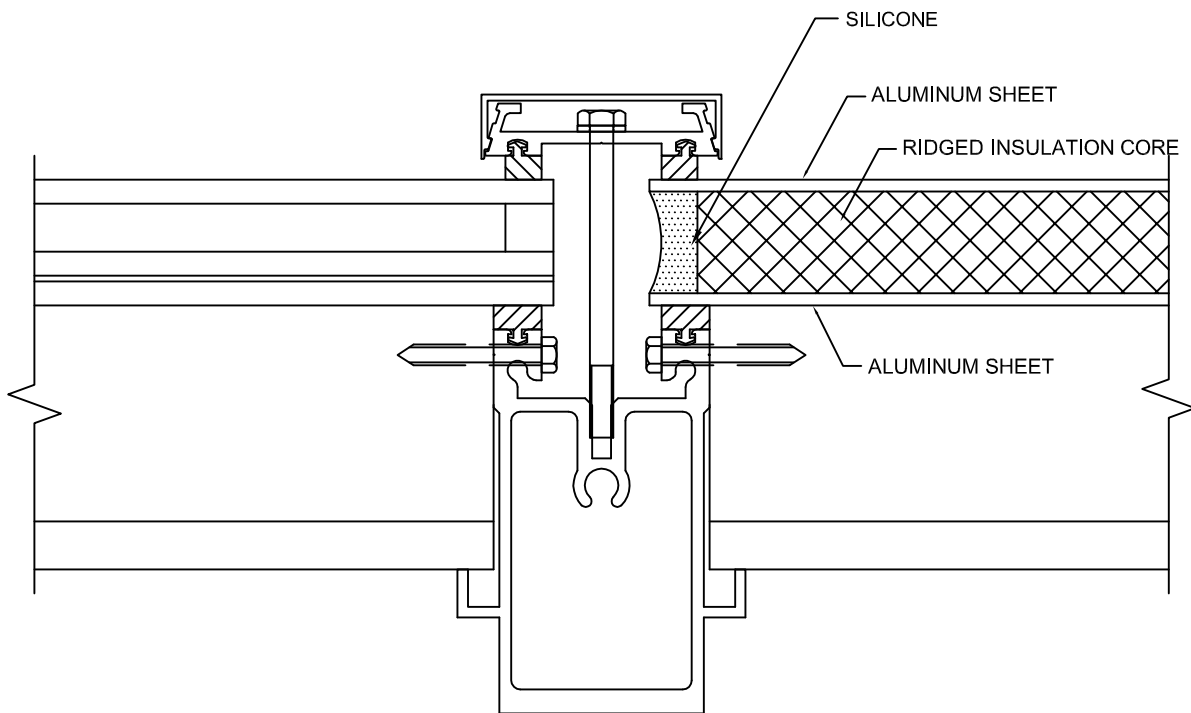
SCALE = 1/2"



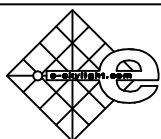
**E-Skylight, Inc.**  
 P.O. Box 830, Branford, CT 06405  
 866-624-3759 / (fax) 207-636-8004  
 www.e-skylight.com

**EXPANSION JOINT  
 CAPTURED**  
 SYSTEM 2000™

**MD2**



SCALE = 1/2"



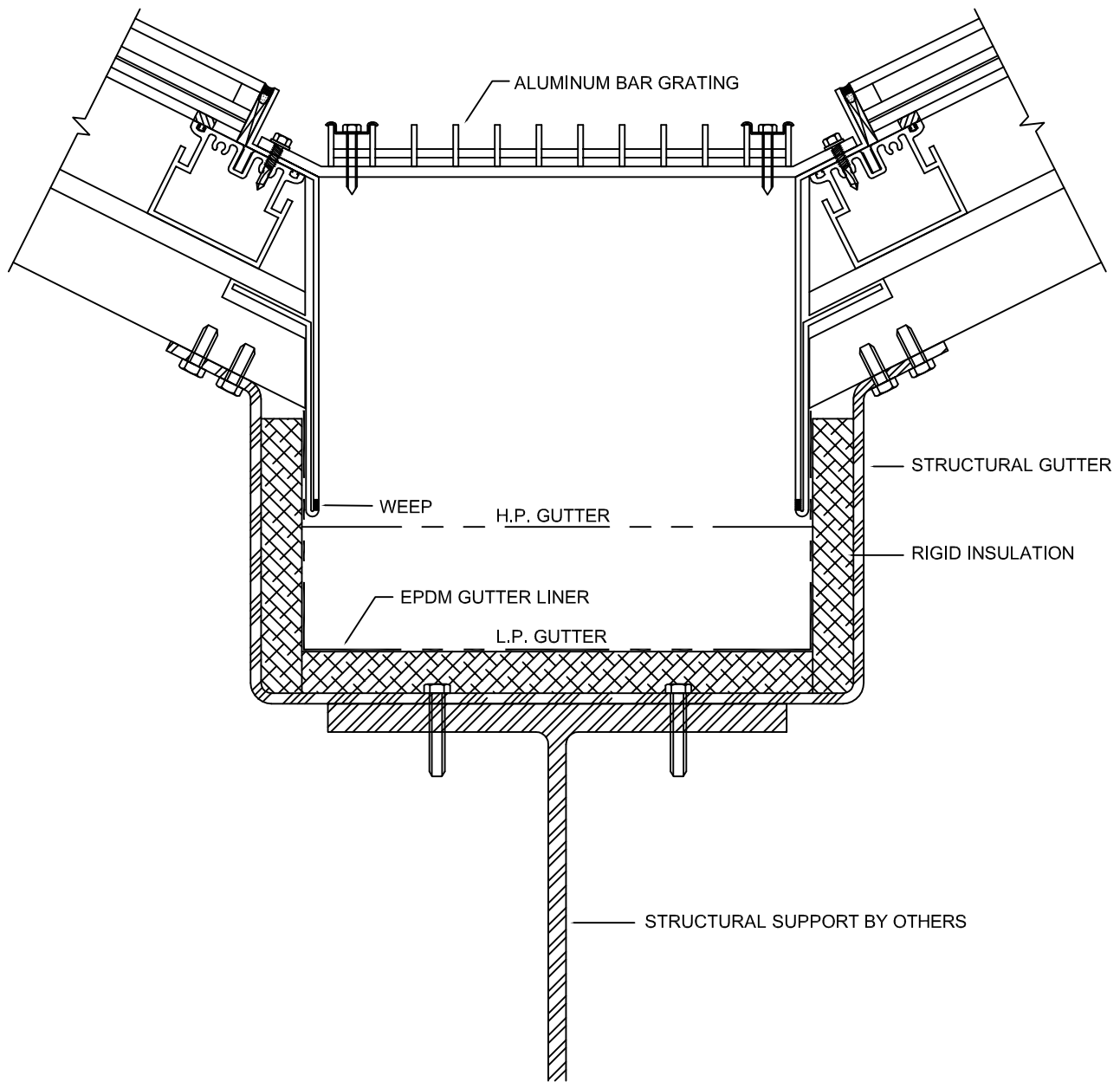
**E-Skylight, Inc.**

P.O. Box 830, Branford, CT 06405  
 866-624-3759 / (fax) 207-636-8004  
 www.e-skylight.com

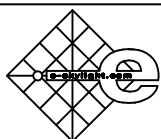
COMPOSITE PANEL GLAZED INTO SYSTEM  
 CAPTURED

SYSTEM 2000™

MD3



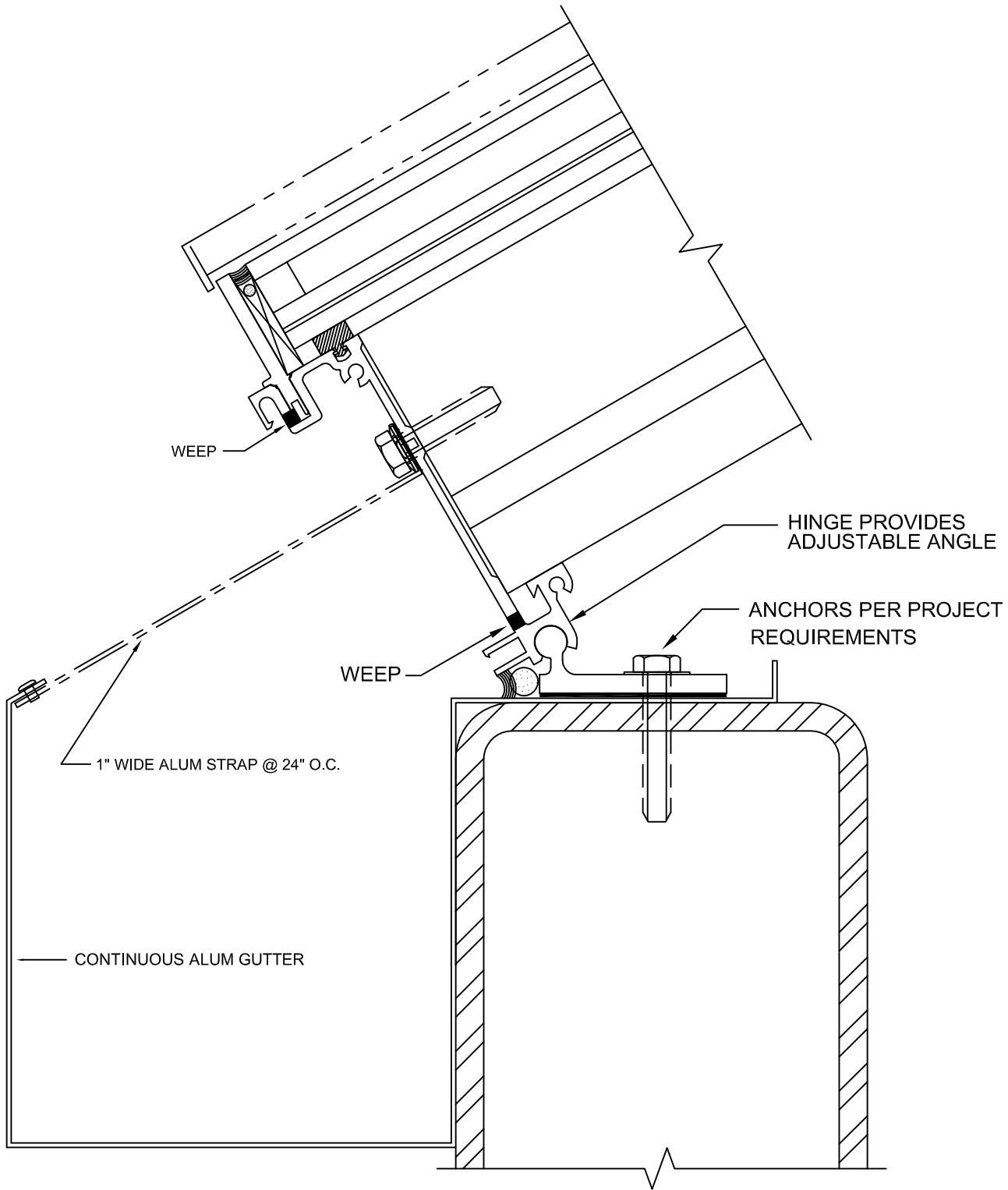
SCALE = 1/4"



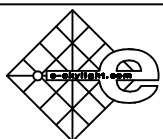
**E-Skylight, Inc.**  
 P.O. Box 830, Branford, CT 06405  
 866-624-3759 / (fax) 207-636-8004  
 www.e-skylight.com

**GUTTER DETAIL AT SILL  
 CAPTURED**  
 SYSTEM 2000™

**MD4**



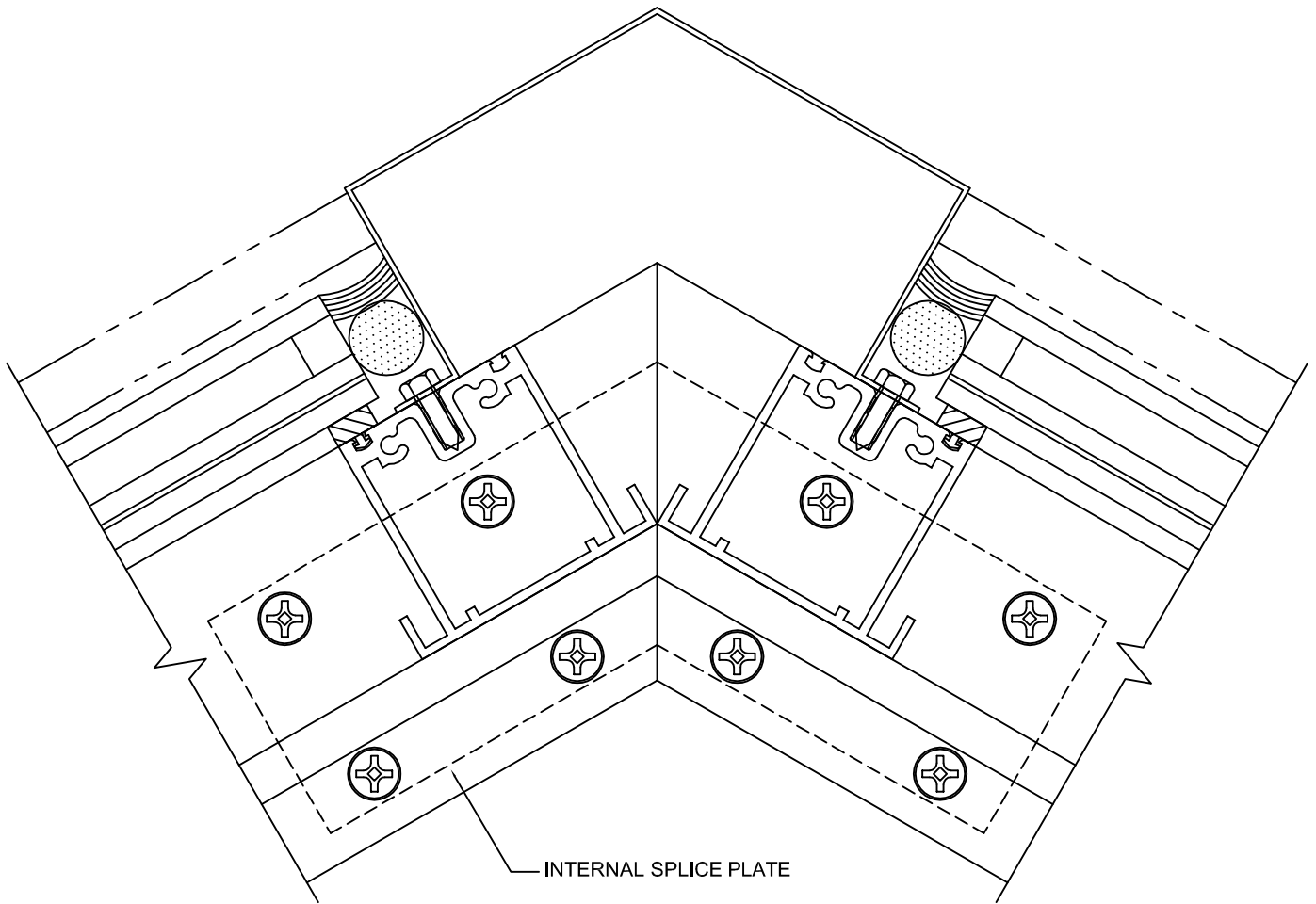
SCALE = 1/2"



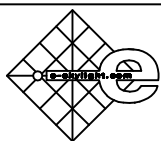
**E-Skylight, Inc.**  
 P.O. Box 830, Branford, CT 06405  
 866-624-3759 / (fax) 207-636-8004  
 www.e-skylight.com

TYPICAL SILL (W/ GUTTER)  
 CAPTURED  
 SYSTEM 2000™

MD5



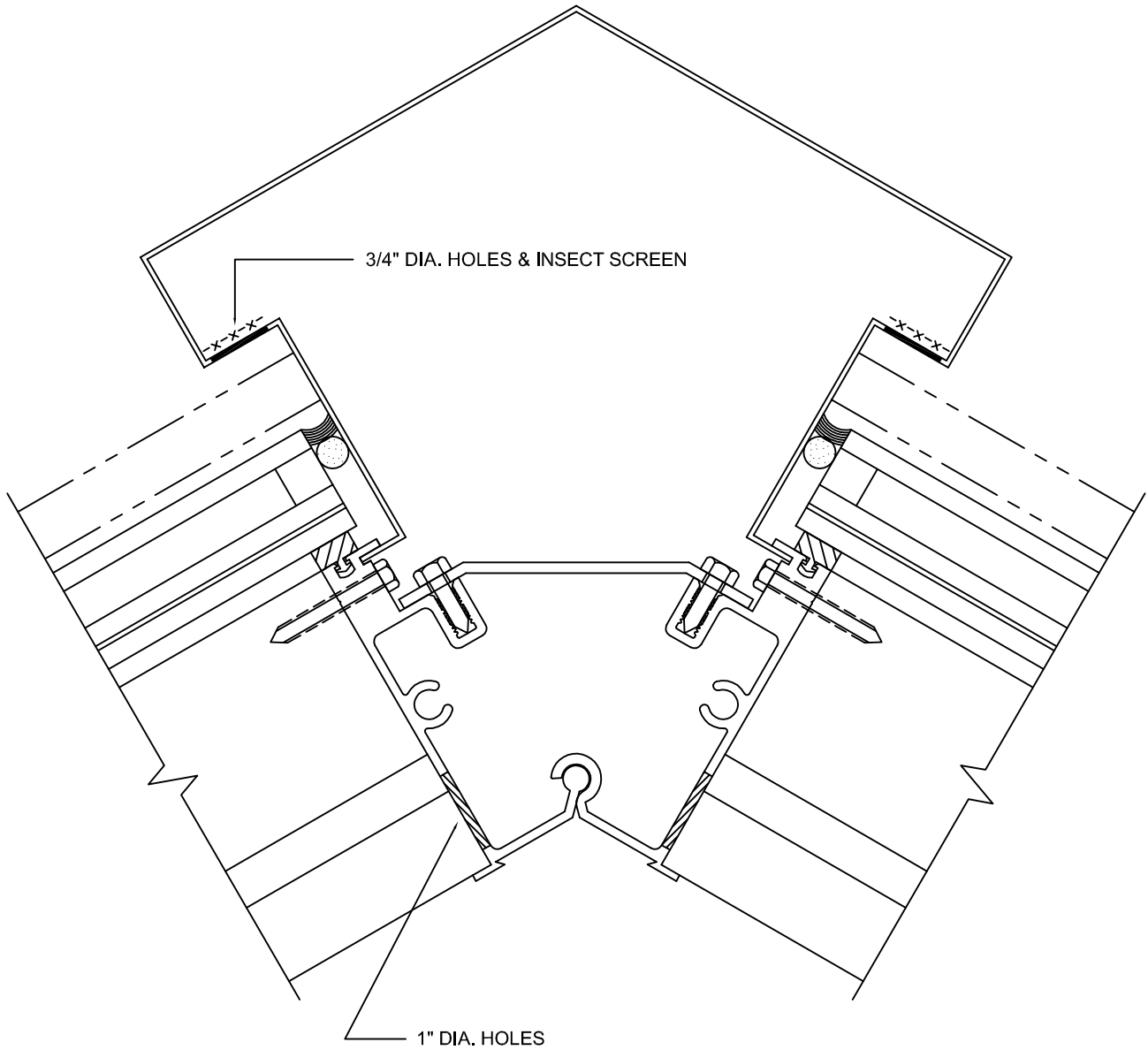
SCALE = 1/2"



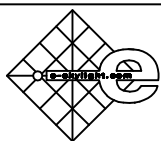
**E-Skylight, Inc.**  
 P.O. Box 830, Branford, CT 06405  
 866-624-3759 / (fax) 207-636-8004  
 www.e-skylight.com

RIDGE (NON-THRUSTING / MOMENT  
 CONNECTION)  
 CAPTURED  
 SYSTEM 2000™

MD6



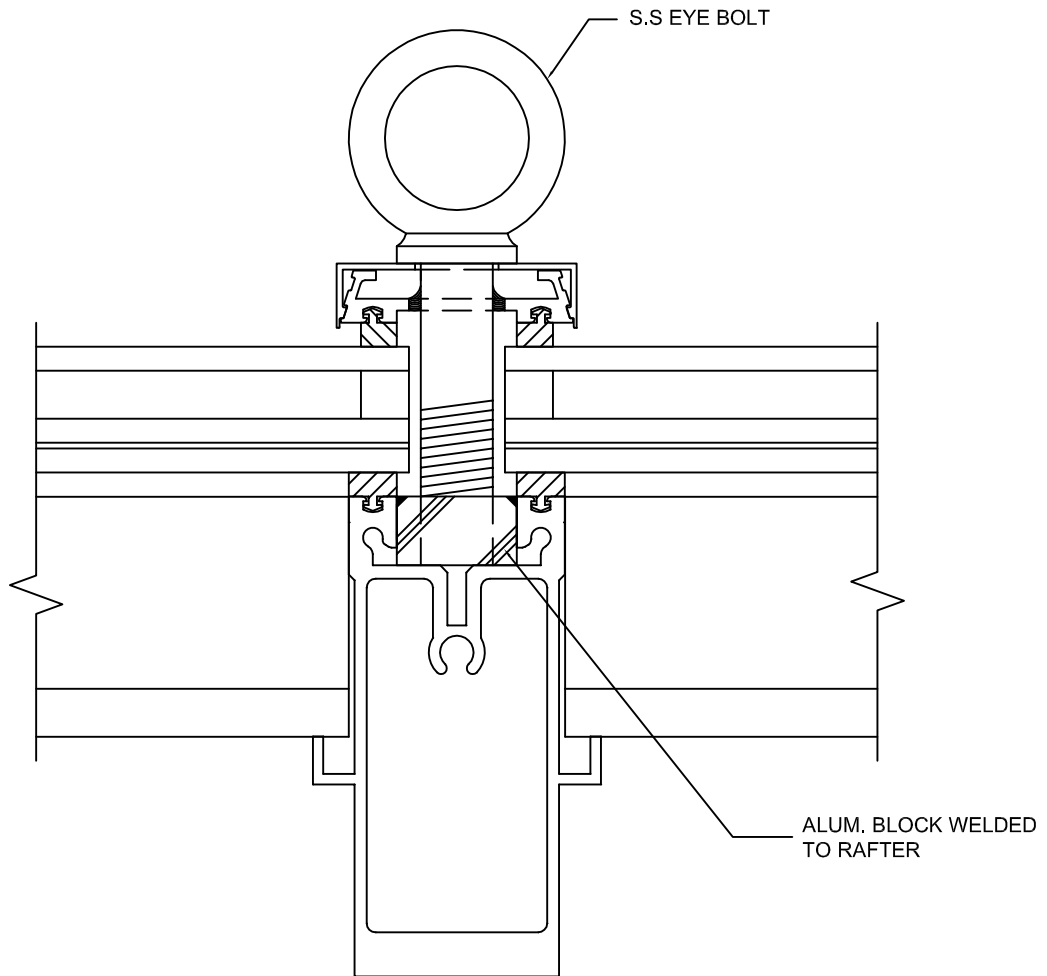
SCALE = 1/2"



**E-Skylight, Inc.**  
P.O. Box 830, Branford, CT 06405  
866-624-3759 / (fax) 207-636-8004  
[www.e-skylight.com](http://www.e-skylight.com)

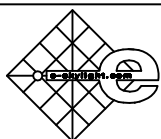
**RIDGE (VENTING)  
CAPTURED  
SYSTEM 2000™**

**MD7**



OTHER RAFTER SIZES AVAILABLE  
(SEE SHEET E1)

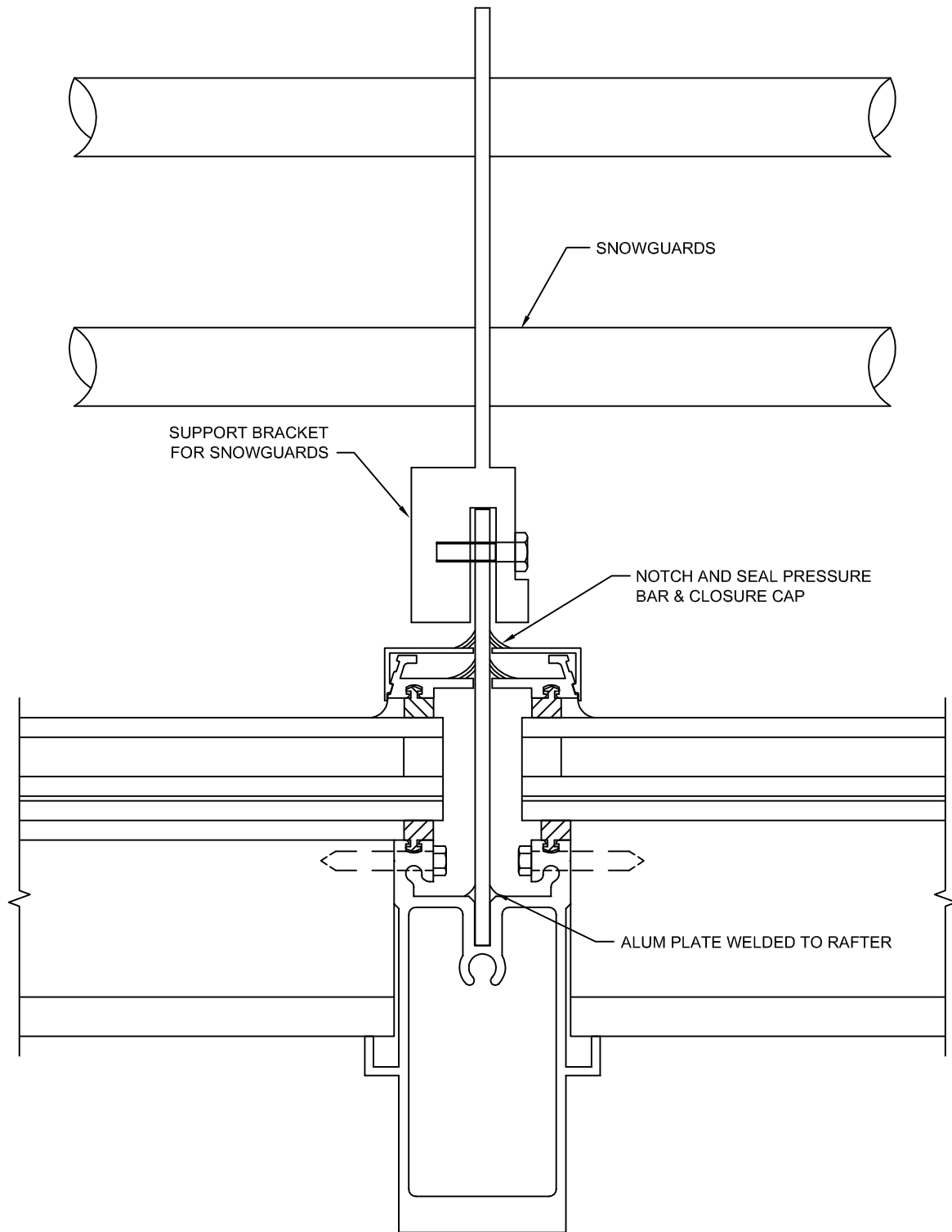
SCALE = 1/2"



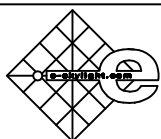
**E-Skylight, Inc.**  
 P.O. Box 830, Branford, CT 06405  
 866-624-3759 / (fax) 207-636-8004  
 www.e-skylight.com

RAFTER (W/ WINDOW WASHING  
 TYEBOLT TIE-OFF  
 CAPTURED  
 SYSTEM 2000™

MD8



SCALE = 1/2"



**E-Skylight, Inc.**

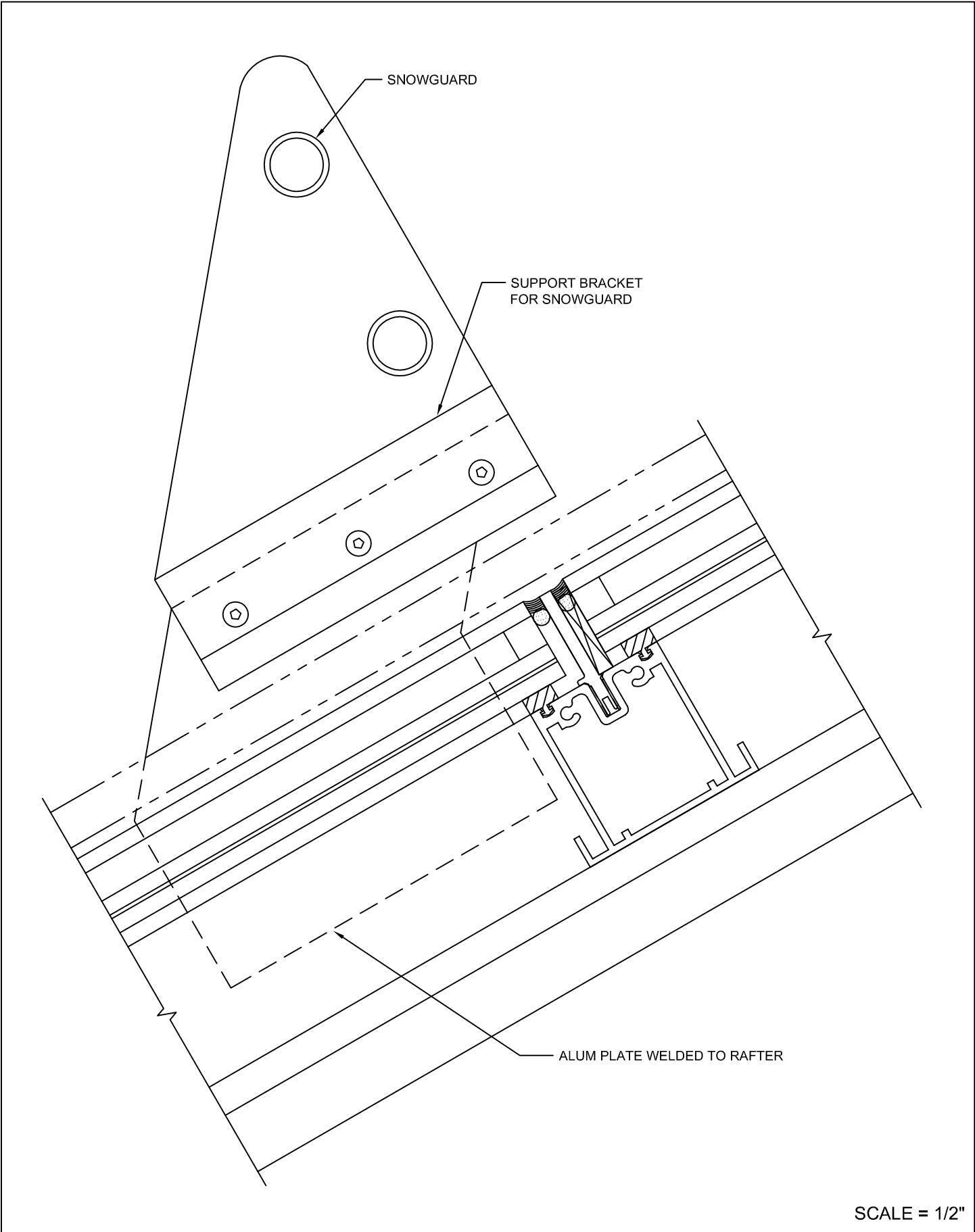
P.O. Box 830, Branford, CT 06405  
 866-624-3759 / (fax) 207-636-8004  
 www.e-skylight.com

SNOWGUARD (SECTION THROUGH RAFTER)  
 CAPTURED

SYSTEM 2000™

MD9

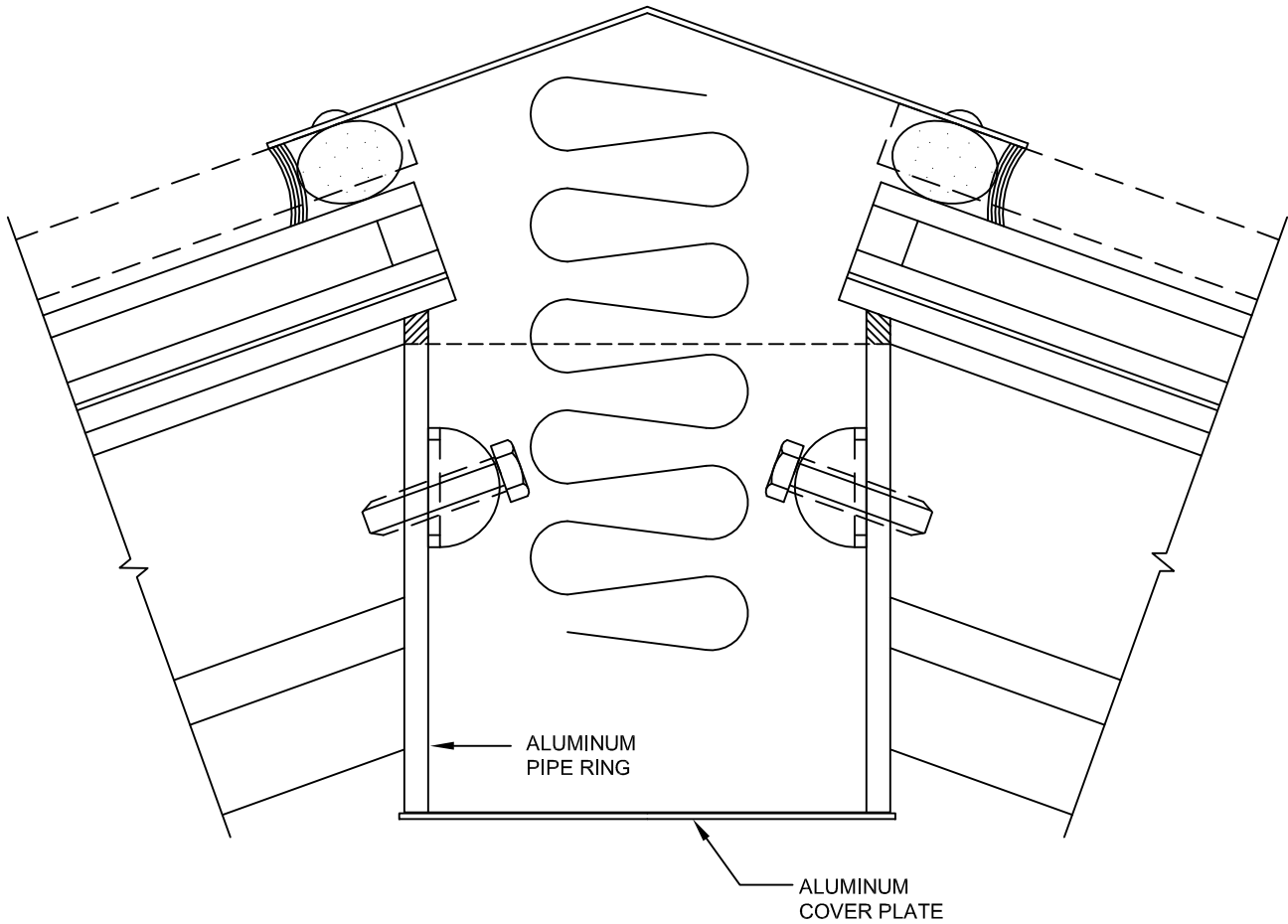




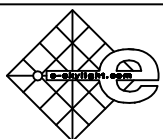
**E-Skylight, Inc.**  
 P.O. Box 830, Branford, CT 06405  
 866-624-3759 / (fax) 207-636-8004  
 www.e-skylight.com

SNOWGUARD (SECTION THROUGH PURLIN)  
 CAPTURED  
 SYSTEM 2000™

MD10



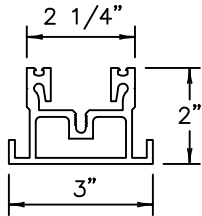
SCALE = 1/2"



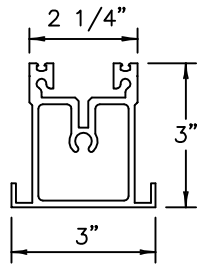
**E-Skylight, Inc.**  
P.O. Box 830, Branford, CT 06405  
866-624-3759 / (fax) 207-636-8004  
[www.e-skylight.com](http://www.e-skylight.com)

**PIPE COMPRESSION RING  
CAPTURED**  
SYSTEM 2000™

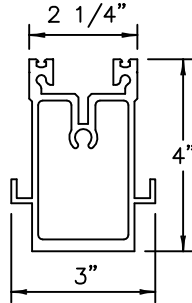
**MD11**



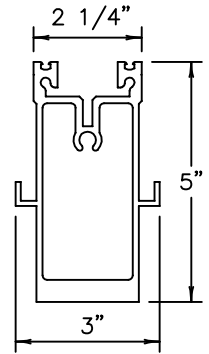
R201



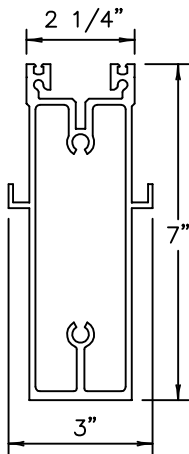
R302



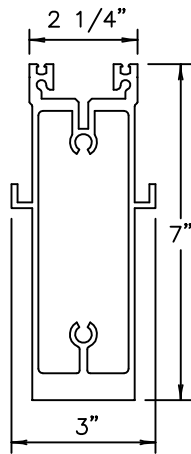
R405



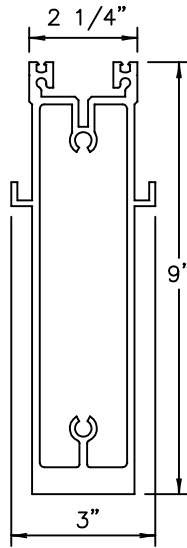
R504



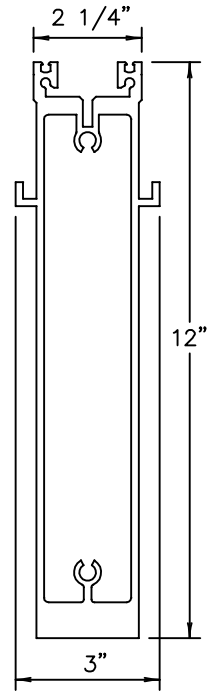
R702



R705

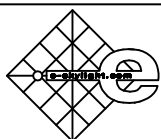


R904



R1201

SCALE = 1/4"



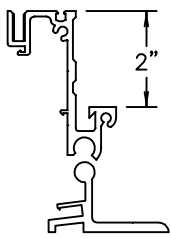
**E-Skylight, Inc.**

P.O. Box 830, Branford, CT 06405  
 866-624-3759 / (fax) 207-636-8004  
 www.e-skylight.com

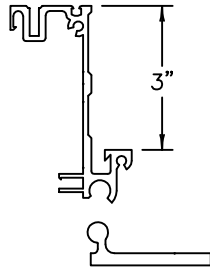
RAFTER COMPENENTS

SYSTEM 2000™

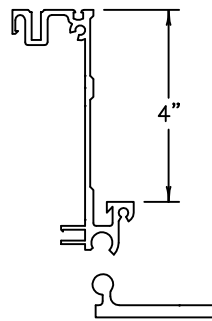
G1



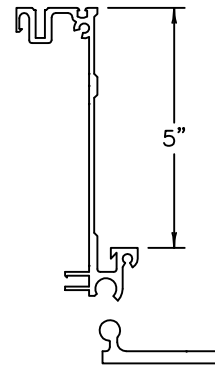
S201 / B124



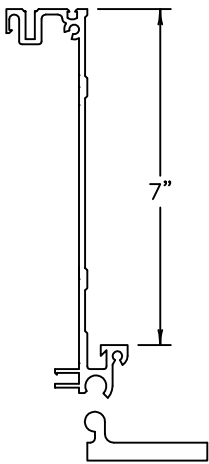
S302 / B101



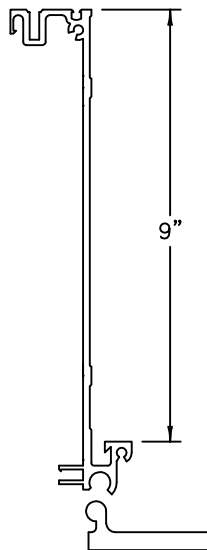
S403/ B101



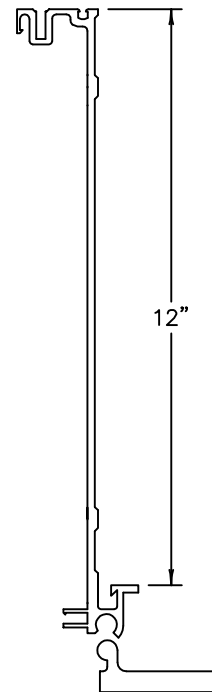
S502/ B101



S702 / B102

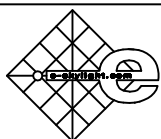


S902/ B102



S1201/ B103

SCALE = 1/4"



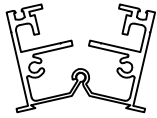
**E-Skylight, Inc.**

P.O. Box 830, Branford, CT 06405  
866-624-3759 / (fax) 207-636-8004  
www.e-skylight.com

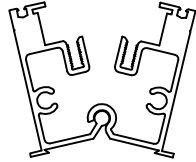
**SILL COMPONENTS**

SYSTEM 2000™

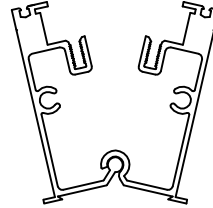
**G2**



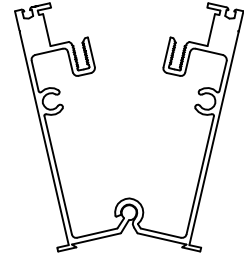
H201 / H202



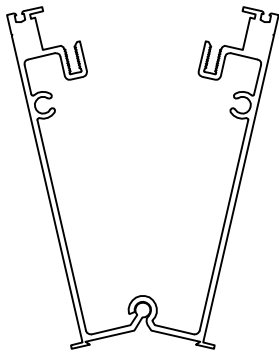
H305 / H306



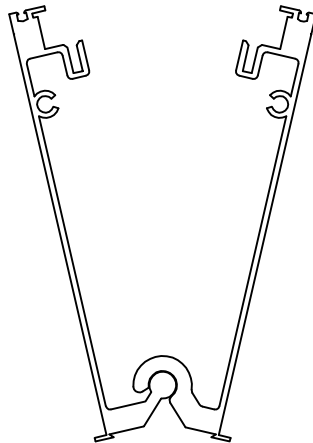
H405 / H406



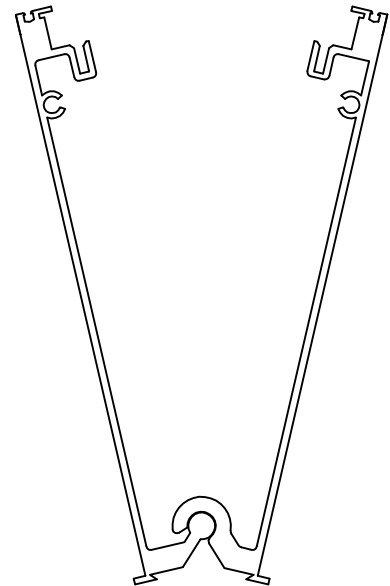
H505 / H506



H705 / H706

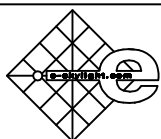


H905 / H906



H1205 / H1206

SCALE = 1/4"



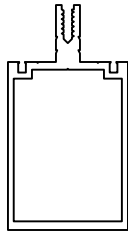
**E-Skylight, Inc.**

P.O. Box 830, Branford, CT 06405  
866-624-3759 / (fax) 207-636-8004  
www.e-skylight.com

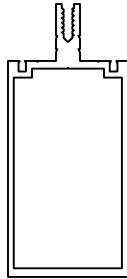
RIDGE / HIP COMPONENTS

SYSTEM 2000™

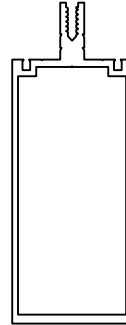
G3



CW305



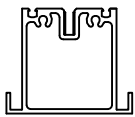
CW405



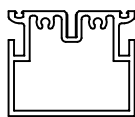
CW505

**VERTICAL MULLIONS**

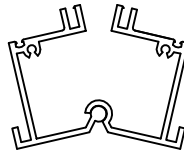
---



P117



P134



P138 / P139



P111

**PURLINS**

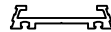
---



CC119



CC102



C113

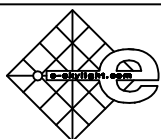


C102

**CAPS**

---

SCALE = 1/4"

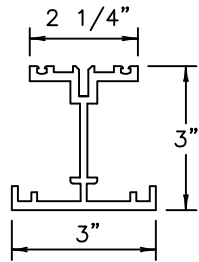


**E-SkyLight, Inc.**  
P.O. Box 830, Branford, CT 06405  
866-624-3759 / (fax) 207-636-8004  
www.e-skylight.com

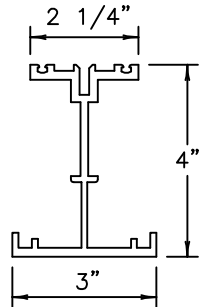
**COMPONENTS**

SYSTEM 2000™

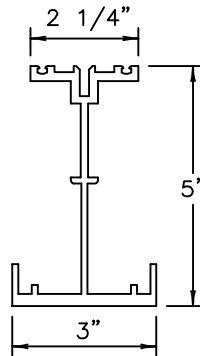
**G4**



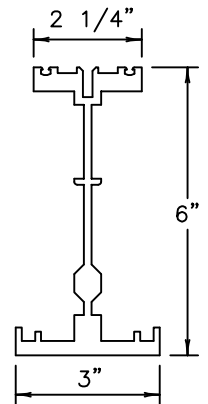
I301



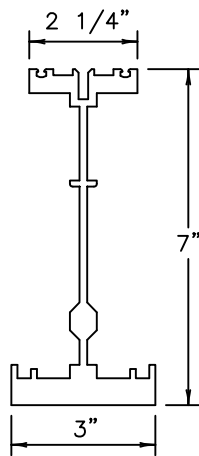
I401



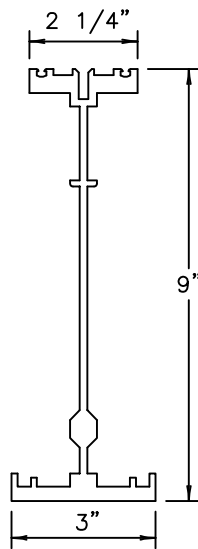
I501



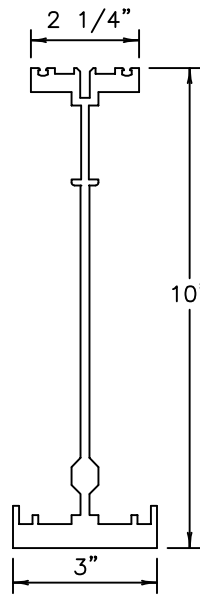
I601



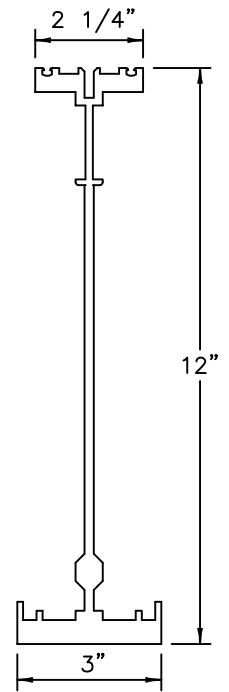
I705



I901

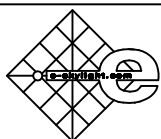


I1001



I1201

SCALE = 1/4"



**E-Skylight, Inc.**

P.O. Box 830, Branford, CT 06405  
 866-624-3759 / (fax) 207-636-8004  
 www.e-skylight.com

RAFTER COMPONENTS (I-BEAM)

SYSTEM 2000™

G5